

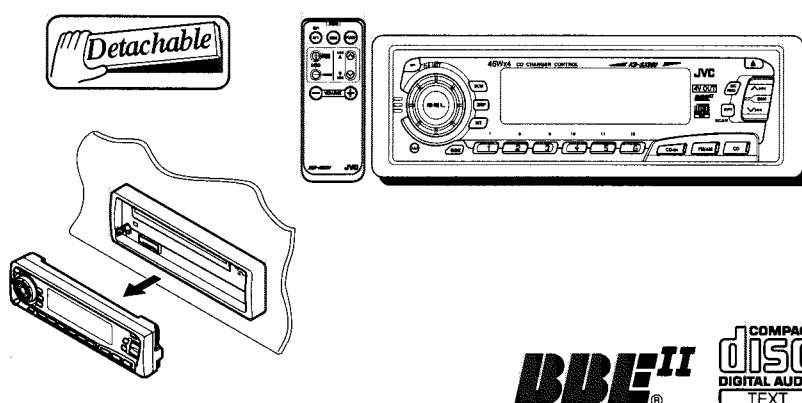
JVC

SERVICE MANUAL

CD RECEIVER

KD-SX950


Area Suffix
J ---- Northern America




Contents

Safety precaution	1-2	Maintenance of laser pickup	2-9
Instructions	1-3~16	Description of major ICs.....	2-10
Disassembly method	2-1	Block diagram	2-26
Adjustment method	2-6	Standard schematic diagrams	2-27
Flow of functional operation until TOC read	2-7	Printed circuit boards	2-29~31
		Parts list	3-1~15

Safety precaution

 **CAUTION** Burrs formed during molding may be left over on some parts of the chassis. Therefore, pay attention to such burrs in the case of performing repair of this system.

 **CAUTION** Please use enough caution not to see the beam directly or touch it in case of an adjustment or operation check.

Instructions

JVC

CD RECEIVER

KD-SX950

RECEPTOR CON CD

KD-SX950

RECEPTEUR CD

KD-SX950

ENGLISH

ESPAÑOL

FRANÇAIS

Having TROUBLE with operation?

Please reset your unit

Refer to page of How to Reset
Still having trouble??

USA ONLY

Call 1-800-252-5722

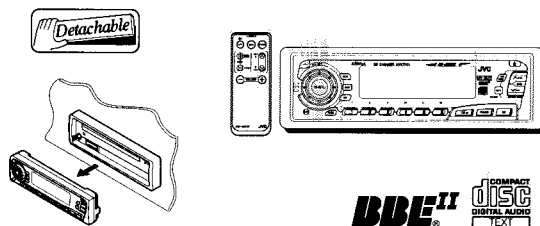
<http://www.jvcservice.com>

We can help you!



EN, SP, FR

1299MNMMDWJES



For installation and connections, refer to the separate manual.
Para la instalación y las conexiones, refiérase al manual separado.
Pour l'installation et les raccordements, se référer au manuel séparé.

For customer Use:
Enter below the Model No. and Serial No. which are located on the top or bottom of the cabinet. Retain this information for future reference.

Model No. _____
Serial No. _____

FSUN3114-631
[J]

INSTRUCTIONS
MANUAL DE INSTRUCCIONES
MANUEL D'INSTRUCTIONS

INFORMATION (For USA)
This equipment has been tested and found to comply with the limits for a Class B digital device, pursuant to Part 15 of the FCC Rules. These limits are designed to provide reasonable protection against harmful interference in a residential installation. This equipment generates, uses, and can radiate radio frequency energy and, if not installed and used in accordance with the instructions, may cause harmful interference to radio communications. However, there is no guarantee that interference will not occur in a particular installation. If this equipment does cause harmful interference to radio or television reception, which can be determined by turning the equipment off and on, the user is encouraged to try to correct the interference by one or more of the following measures:
- Reorient or relocate the receiving antenna.
- Increase the separation between the equipment and receiver.
- Connect the equipment into an outlet on a circuit different from that to which the receiver is connected.
- Consult the dealer or an experienced radio/TV technician for help.

IMPORTANT FOR LASER PRODUCTS

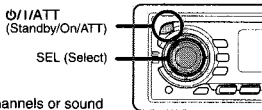
- Precautions:**
1. CLASS 1 LASER PRODUCT
 2. **DANGER:** Invisible laser radiation when open and interlock failed or defeated. Avoid direct exposure to beam.
 3. **CAUTION:** Do not open the top cover. There are no user-serviceable parts inside. Leave all servicing to qualified service personnel.
 4. **CAUTION:** This CD player uses invisible laser radiation, however, is equipped with safety switches to prevent radiation emission when unloading CDs. It is dangerous to defeat the safety switches.
 5. **CAUTION:** Use of controls, adjustments or performance of procedures other than those specified herein may result in hazardous radiation exposure.

How to reset your unit

Press and hold both the SEL (Select) and Φ /I/ATT (Standby/On/ATT) buttons at the same time for several seconds. This will reset the built-in microcomputer.

NOTES:

- Your preset adjustments — such as preset channels or sound adjustments — will also be erased.
- If a CD is in the unit, "PLEASE" and "EJECT" appear on the display alternately. In this case, press \blacktriangle to eject the CD. Pay attention not to drop the CD.



BEFORE USE

- For safety...
- Do not raise the volume level too much, as this will block outside sounds, making driving dangerous.
- Stop the car before performing any complicated operations.

**Temperature inside the car...
If you have parked the car for a long time in hot or cold weather, wait until the temperature in the car becomes normal before operating the unit.*

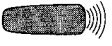



Thank you for purchasing a JVC product. Please read all instructions carefully before operation, to ensure your complete understanding and to obtain the best possible performance from the unit.

CONTENTS

How to reset your unit	2
BASIC OPERATIONS	5
RADIO OPERATIONS	6
Listening to the radio	6
Storing stations in memory	7
FM station automatic preset: SSM	7
Manual preset	8
Tuning into a preset station	9
Other convenient tuner functions	10
Scanning broadcast stations	10
Selecting FM reception sound	10
CD OPERATIONS	11
Playing a CD	11
Locating a track or a particular portion on a CD	12
Selecting CD playback modes	13
Playing a CD Text	15
Prohibiting CD ejection	15
SOUND ADJUSTMENTS	16
Adjusting the sound	16
Turning on/off the BBE ^{II} function	17
Using the Sound Control Memory	18
Selecting and storing the sound modes	18
Recalling the sound modes	19
Storing your own sound adjustments	20
OTHER MAIN FUNCTIONS	21
Setting the clock	21
Changing the general settings (PSM)	22
Basic Procedure	22
Canceling Advanced SCM	24
Selecting the clock display	24
Selecting the level display	25
Selecting the dimmer mode	25
Controlling the volume automatically (Audio Cruise Mode)	26
Turning on/off the key-touch tone	28
Selecting the scroll mode	28
Selecting the subwoofer cutoff frequency	28
Changing the AM/FM channel intervals	29
Selecting the external component to use	29
Detaching the control panel	30

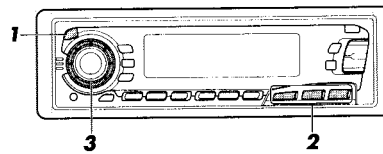
To be continued on the next page 3

ENGLISH

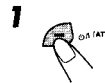
REMOTE OPERATIONS	31	
Installing the battery	31	
Using the remote controller	32	
CD CHANGER OPERATIONS	33	
Playing CDs	33	
Selecting CD playback modes	35	
EXTERNAL COMPONENT OPERATIONS	36	
Playing an external component	36	
Using a subwoofer	36	
MAINTENANCE	37	
Handling CDs	37	
TROUBLESHOOTING	38	
SPECIFICATIONS	39	

BASIC OPERATIONS

ENGLISH

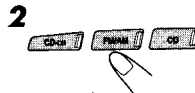


Note:
When you use this unit for the first time, set the built-in clock correctly, see page 21.

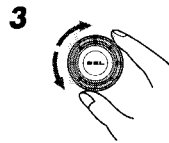


1 Turn on the power.
"HELLO" appears on the display.

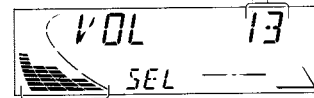
Note on One-Touch Operation:
When you select a source in step 2 below, the power automatically comes on. You do not have to press this button to turn on the power.



2 Select the source.
To operate the tuner, see pages 6 – 10.
To operate the CD player, see pages 11 – 15.
To operate the CD changer, see pages 33 – 35.
To operate the external component, see page 36.



3 Adjust the volume. Volume level appears



Volume level indicator

4 Adjust the sound as you want (see pages 16 – 20).

To drop the volume in a moment

Press **ATT** briefly while listening to any source. "ATT" starts flashing on the display, and the volume level will drop in a moment.

To resume the previous volume level, press the button briefly again.

To turn off the power

Press **ATT** for more than 1 second. "SEE YOU" appears, then the unit turns off.

CAUTION on Volume Setting

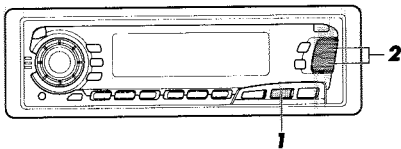
CDs produce very little noise compared with other sources. If the volume level is adjusted for the tuner, for example, the speakers may be damaged by the sudden increase in the output level. Therefore, lower the volume before playing a CD and adjust it as required during playback.

4

5

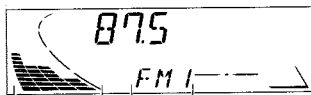
RADIO OPERATIONS

Listening to the radio

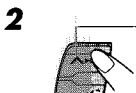


1 Select the band (FM1, FM2, FM3 or AM).
You can select any one of FM1, FM2, and FM3 to listen to an FM station.

→ FM1 → FM2 → FM3 → AM

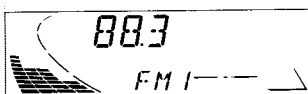


Audio (see page 25) or volume level indicator. Selected band (or clock time: see page 24) appears.



2 To search stations of higher frequencies.
To search stations of lower frequencies.

Start searching a station.
While searching stations, "SEEK" appears on the display.
When a station is received, searching stops.



To stop searching before a station is received, press the same button you have pressed for searching.

To tune in a particular frequency without searching

- 1 Press FM/AM repeatedly to select the band (FM or AM).
- 2 Press and hold **▲▶▶** or **▼◀◀** until "MANU" (manual) starts flashing on the display. Now you can manually change the frequency while "MANU" is flashing.
- 3 Press **▲▶▶** or **▼◀◀** repeatedly until the frequency you want is reached.
 - If you hold down the button, the frequency keeps changing until you release the button.

6

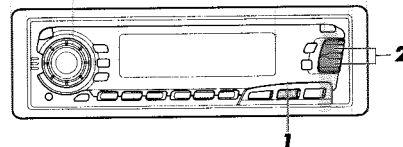
Storing stations in memory

You can use one of the following two methods to store broadcasting stations in memory.

- Automatic preset of FM stations: SSM (Strong-station Sequential Memory)
- Manual preset of both FM and AM stations

FM station automatic preset: SSM

You can preset 6 local FM stations in each FM band (FM1, FM2 and FM3).

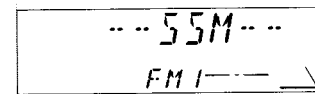


1 Select the FM band number (FM1, FM2 or FM3) you want to store FM stations into.

→ FM1 → FM2 → FM3 → AM



2 Press and hold both buttons for more than 2 seconds.



"SSM" appears, then disappears when automatic preset is over.

Local FM stations with the strongest signals are searched and stored automatically in the band number you have selected (FM1, FM2 or FM3). These stations are preset in the number buttons — No. 1 (lowest frequency) to No. 6 (highest frequency).
When automatic preset is over, the station stored in number button 1 will be automatically tuned in.

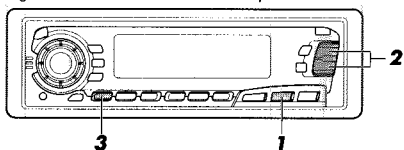
7

ENGLISH

Manual preset

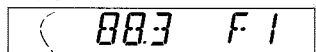
You can preset up to 6 stations in each band (FM1, FM2, FM3 and AM) manually.

EXAMPLE: Storing an FM station of 88.3 MHz into the preset number 1 of the FM1 band

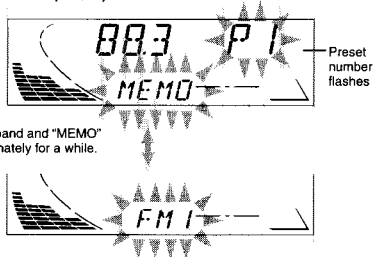


1 Select the FM1 band.

2 Tune into a station of 88.3 MHz. See page 6 to tune into a station.



3 Press and hold the number button (in this example, 1) for more than 2 seconds.



4 Repeat the above procedure to store other stations into other preset numbers.

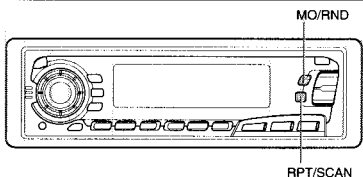
- Notes:**
- A previously preset station is erased when a new station is stored in the same preset number.
 - Preset stations are erased when the power supply to the memory circuit is interrupted (for example, during battery replacement). If this occurs, preset the stations again.

8

9

ENGLISH

Other convenient tuner functions



Scanning broadcast stations

When you press RPT/SCAN (Repeat/Scan) while listening to the radio, station scanning starts. Each time a broadcast is tuned in, scanning stops for about 5 seconds ("SCAN" flashes on the display), and you can check what program is now being broadcast.

If you want to listen to that program, press the same button again to stop scanning.

Selecting FM reception sound

When an FM stereo broadcast is hard to receive:

Press MO/RND (Mono/Random) while listening to an FM stereo broadcast. The MONO indicator lights up on the display.

The sound you hear becomes monaural but reception will be improved.



To restore the stereo effect, press the same button again.

When using this unit in an area other than North or South America:
You need to change the AM/FM channel intervals. See "Changing the AM/FM channel intervals" on page 29.

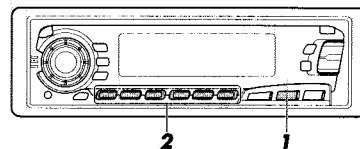
10

ENGLISH

Tuning into a preset station

You can easily tune into a preset station.

Remember that you must store stations first. If you have not stored them yet, see pages 7 and 8.



1 Select the band (FM1, FM2, FM3 or AM) you want.

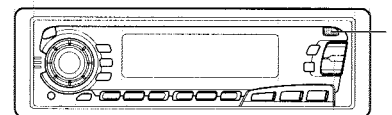


2 Select the number (1 - 6) for the preset station you want.



CD OPERATIONS

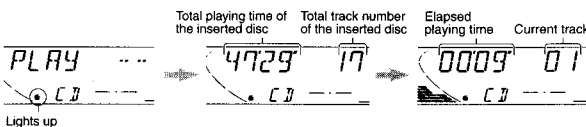
Playing a CD



1 Open the control panel.

2

1. Insert a disc into the loading slot. The unit turns on, draws a CD and starts playback automatically.
2. Close the control panel by hand.



Notes:

- When a CD is inserted up side down, "PLEASE" and "EJECT" appear on the display alternately. When you open the control panel by pressing \blacktriangle , the CD automatically ejects.
- When you play a CD Text, the disc title and performer appear on the display. Then the current track and elapsed playing time appears on the display. See also "Playing a CD Text" (page 15) and "Selecting the scroll mode" (page 28).
- If a CD Text includes much text information, some may not appear on the display.

Note on One-Touch Operation:

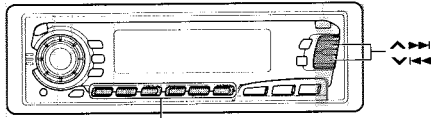
When a CD is already in the loading slot, pressing CD turns on the unit and starts playback automatically.

To stop play and eject the CD

- Press \blacktriangle .
- CD play stops, the control panel opens, then the CD automatically ejects from the loading slot. If you change the source to FM, AM, CD changer or external component, the CD play also stops (without ejecting the CD this time).
- If the ejected disc is not removed for about 15 seconds, the disc is automatically inserted again into the loading slot to protect it from dust. (CD play will not start this time.)
 - You can eject the CD even when the unit is turned off.

11

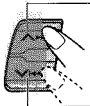
Locating a track or a particular portion on a CD



Number buttons

To fast-forward or reverse the track

Press and hold while playing a CD, to fast-forward the track.



Press and hold while playing a CD, to reverse the track.

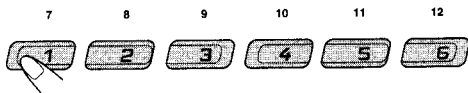
To go to the next tracks or the previous tracks

Press briefly, while playing a CD, to go ahead to the beginning of the next track. Each time you press the button consecutively, the beginning of the next tracks is located and played back.



Press briefly, while playing a CD, to go back to the beginning of the current track. Each time you press the button consecutively, the beginning of the previous tracks is located and played back.

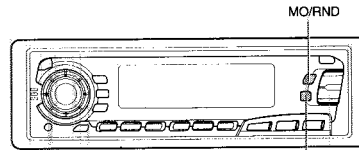
To go to a particular track directly



Press the number button corresponding to the track number to start its playback.

- To select a track number from 1 – 6:
Press 1 (7) – 6 (12) briefly.
- To select a track number from 7 – 12:
Press and hold 1 (7) – 6 (12) for more than 1 second.

Selecting CD playback modes



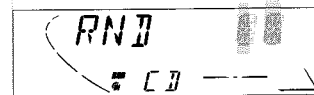
RPT/SCAN

To play back tracks at random (Random Play)

You can play back all tracks on the CD at random.



Each time you press MO/RND (Mono/Random) while playing a CD, CD random play mode turns on and off alternately. When the random mode is turned on, the RND indicator lights up on the display and a track randomly selected starts playing.

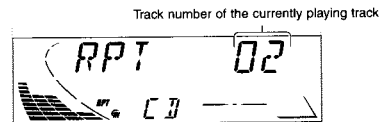


To play back tracks repeatedly (Repeat Play)

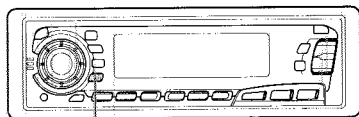
You can play back the current track repeatedly.



Each time you press RPT/SCAN (Repeat/Scan) while playing a CD, CD repeat play mode turns on and off alternately. When the repeat mode is turned on, the RPT indicator lights up on the display.



Track number of the currently playing track



INT

To play back only intros (Intro Scan)

Each time you press INT (Intro) briefly while playing a CD, CD intro scan mode turns on and off alternately. When the intro scan mode is turned on, "INT" appears on the display for 5 seconds and the track number flashes. The first 15 seconds of each track are played sequentially.



Track number of the currently playing track



Playing a CD Text

In a CD Text, some information about the disc (its disc title, performer and track title) is recorded. You can show these disc information on the display.



DISP



Select text display mode while playing a CD Text. Each time you press the button, the display changes as follows:



Notes:

- The display shows up to 8 characters at one time and scrolls if there are more than 8 characters. See also "Selecting the scroll mode" on page 28. Some characters or symbols will not be shown (and be blanked) on the display. (Ex. "ABC&d#" => "ABCA D ")
- When you press DISP while playing a conventional CD, "NO NAME" appears for the disc title/performer and the track title.

Prohibiting CD ejection

You can prohibit CD ejection and can lock a CD in the loading slot. While pressing CD, press and hold for more than 2 seconds. "NO EJECT" flashes on the display for about 5 seconds, and the CD is locked and cannot be ejected.

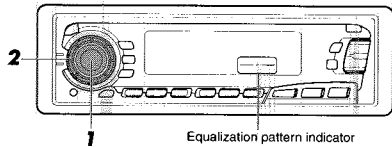
To cancel the prohibition and unlock the CD, press again for more than 2 seconds, while pressing CD. "EJECT OK" flashes on the display for about 5 seconds, and the CD is unlocked.

SOUND ADJUSTMENTS

ENGLISH

Adjusting the sound

You can adjust the sound characteristics to your preference.



1 Select the item you want to adjust.



Indication	To do:	Range
BAS (Bass)	Adjust the bass	-06 (min.) — +06 (max.)
TRE (Treble)	Adjust the treble	-06 (min.) — +06 (max.)
FAD (Fader)*	Adjust the front and rear speaker balance	R06 (rear only) — F06 (front only)
BAL (Balance)	Adjust the left and right speaker balance	L06 (left only) — R06 (right only)
WOOFER (Subwoofer)	Adjust the subwoofer output level	0 — 8
VOL (Volume)	Adjust the volume	00 (min.) — 50 (max.)

Note:
 * If you are using a two-speaker system, set the fader level to "00."

2 Adjust the level.



Equalization pattern changes as you adjust the bass or treble.

Note:
 Normally the control dial works as the volume control. So you do not have to select "VOL" to adjust the volume level.



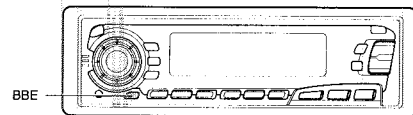
Turning on/off the BBE[®] function

ENGLISH

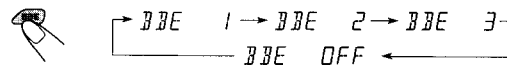
The BBE[®] function restores the brilliance and clarity of the original live sound in recording, broadcasts, etc.

When a speaker reproduces sound, it introduces frequency-dependent phase shifting, causing high-frequency sounds to take longer to reach the ear than low frequency sounds. The BBE[®] function adjusts the phase relationship between the low, mid and high frequencies by adding a progressively longer delay time to the low and mid frequencies, so that all frequencies reach the listener's ears at the proper time.

In addition, the BBE[®] function boosts low and high frequencies, which loudspeakers tend to be less efficient in reproducing, through dynamic, program-driven augmentation. When combined with the phase compensation feature, the resulting sound has a clearer, more finely detailed "live" presence.



Each time you press BBE, the BBE[®] function changes as follows.



As the number gets higher, the BBE[®] function becomes stronger. The initial setting is BBE 2.

* Under license from BBE Sound, Inc.
 BBE[®] is a trademark of BBE Sound, Inc.



Using the Sound Control Memory

ENGLISH

You can select and store a preset sound adjustment suitable to each playback source. (Advanced SCM)

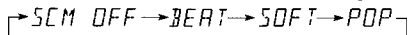
Selecting and storing the sound modes

Once you select a sound mode, it is stored in memory, and will be recalled every time you select the same source. A sound mode can be stored for each of the following sources — FM1, FM2, FM3, AM, CD and external components.

* If you do not want to store the sound mode separately for each playback source, but want to use the same sound mode for all the sources, see "Canceling Advanced SCM" on page 24.



Select the sound mode you want.
 Each time you press the button, the sound mode changes as follows:



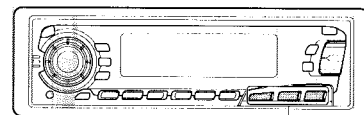
- If the "Link" indicator is lit on the display (with "SCM LINK" set to "LINK ON" — see page 24), the selected sound mode can be stored in memory for the current source, and the effect applies to the current source.
- If the "Link" indicator is NOT lit on the display (with "SCM LINK" set to "LINK OFF"), the selected sound mode effect applies to any source.

Indication	For:	Preset values		
		Bass	Treble	BBE [®]
SCM OFF	(Flat sound)	00	00	BBE 2
BEAT	Rock or disco music	+02	00	BBE 2
SOFT	Quiet background music	+01	-03	Off
POP	Light music	+04	+01	Off

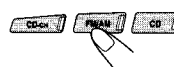


Recalling the sound modes

ENGLISH



Source buttons



Select the source while the "Link" indicator is lit on the display.

The "Link" indicator starts flashing, and the sound mode stored in memory for the selected source is recalled.



Sound mode indicator

Equalization pattern of the selected sound mode appears.

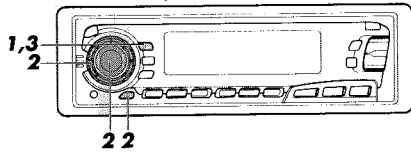
Notes:

- You can adjust each sound mode to your preference, and store it in memory. If you want to adjust and store your original sound mode, see "Storing your own sound adjustments" on page 20.
- To adjust the bass and treble reinforcement levels or to turn on/off the BBE[®] function temporarily, see pages 16 and 17. (Your adjustments will be canceled if another source is selected.)



Storing your own sound adjustments

You can adjust the sound modes (BEAT, SOFT, POP: see page 18) to your preference and store your own adjustments in memory.



1 Call up the sound mode you want to adjust. See page 18 for details.

2 *Within 5 seconds*
 To adjust the bass or treble level
 1) Select "BAS" or "TRE."
 2) Adjust the bass or treble level.
Within 5 seconds

To turn on or off the BBE[®] function
 See page 17.

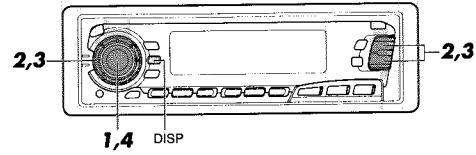
3 *Within 5 seconds*
 Press and hold SCM (Sound Control Memory) until the sound mode you have selected flashes on the display. Your setting is stored in memory.

4 Repeat the same procedure to store other settings.

To reset to the factory settings
 Repeat the same procedure and reassign the preset values listed in the table on page 18.

OTHER MAIN FUNCTIONS

Setting the clock



1 Press and hold SEL (Select) for more than 2 seconds so that one of the PSM items appears on the display.

2
 1) Select "CLOCK H (Hour)" if not shown on the display.
 2) Adjust the hour.

3
 1) Select "CLOCK M (Minute)."
 2) Adjust the minute.

4 Finish the setting.

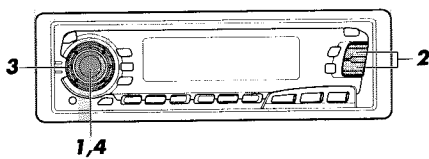
To check the current clock time while the unit is turned off, press DISP. The power turns on, the clock time is shown for 5 seconds, then the power turns off.



Changing the general settings (PSM)

You can change the items listed on the next page by using the PSM (Preferred Setting Mode) control.

Basic Procedure



1 Press and hold SEL (Select) for more than 2 seconds so that one of the PSM items appears on the display.

2 Select the PSM item you want to adjust. (See page 23.)

3 Select or adjust the PSM item selected above.

4 Finish the setting.



1	2	3	Factory-preset settings	See page
	Select.		Set.	
CLOCK H	Hour adjustment	Back	Advance	1:00 21
CLOCK M	Minute adjustment	Back	Advance	1:00 21
SCM LINK	Sound control memory linkage	LINK OFF	LINK ON	LINK ON 24
CLOCK	Clock display	OFF	ON	ON 24
LEVEL	Level display	AUDIO 1 ↔ AUDIO 2 ↓ OFF ↑	AUDIO 2	AUDIO 2 25
DIMMER	Dimmer	AUTO ↔ OFF ↓ ON ↑	AUTO	AUTO 25
CRUISE	Audio cruise	CRUISE 1 ↔ CRUISE 2 ↓ OFF ↑	OFF	OFF 26
RPM SET*	Idling speed	—	800 rpm	27
BOOST*	Boost	01—15	05	27
BEEP	Key-touch tone	OFF	ON	ON 28
SCROLL	Name display	ONCE ↔ AUTO ↓ OFF ↑	ONCE	ONCE 28
CUTOFF F	Subwoofer cutoff frequency	MID ↔ HIGH ↓ LOW ↑	MID	MID 28
AREA	Channel interval	AREA US	AREA EU	AREA US 29
LINE IN**	External component	CHANGER	LINE IN	CHANGER 29

* When you select "CRUISE 1" or "CRUISE 2" for Audio Cruise mode, you can adjust these items.
 ** Displayed only when one of the following source is selected → FM, AM and CD.

- Press SEL (Select) when the setting is complete.



ENGLISH

Canceling Advanced SCM

You can cancel the Advanced SCM (Sound Control Memory), and unlink the sound modes and the playback sources.

When shipped from the factory, a different sound mode can be stored in memory for each source so that you can change the sound modes simply by changing the sources.

- LINK ON: Advanced SCM (different sound modes for different sources)
- LINK OFF: Conventional SCM (one sound mode for all sources)

1. Press and hold SEL (Select) for more than 2 seconds so that one of the PSM items appears on the display.
2. Select "SCM LINK" with $\blacktriangle \blacktriangleright$ or $\blacktriangleleft \blacktriangleleft$.
3. Select the desired mode with the control dial.
The SCM LINK mode changes as follows:

LINK ON \longleftrightarrow LINK OFF

Selecting the clock display

You can select either the clock or the source name to be shown on the lower part of the display. When shipped from the factory, the clock is selected.

- ON: Clock
- OFF: Source name (or station band)

1. Press and hold SEL (Select) for more than 2 seconds so that one of the PSM items appears on the display.
2. Select "CLOCK" with $\blacktriangle \blacktriangleright$ or $\blacktriangleleft \blacktriangleleft$.
3. Select the desired mode with the control dial.
The clock display mode alternates between on and off.

ON \longleftrightarrow OFF

To check the other information during play

Press DISP (Display). Each time you press the button, the other information (either the clock or the source name) will be shown on the lower part of the display for a while.



ENGLISH

Controlling the volume automatically (Audio Cruise Mode)

You can select the proper cruise mode for your car.

This unit change the volume level automatically (at 3 possible levels) based on the driving speed of your car by detecting the alternator's generating frequency (Audio Cruise).

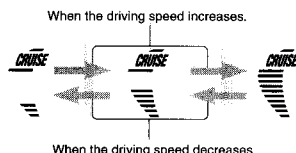
If you want to use this mode, follow the procedures below. When shipped from the factory, this mode is set to "OFF".

- CRUISE 1: Select this if your car is relatively quiet.
- CRUISE 2: Select this if your car is relatively loud.
The volume increase rate is twice as much as that of the CRUISE 1 setting.
- OFF: Cancels Audio Cruise.

1. Press and hold SEL (Select) for more than 2 seconds so that one of the PSM items appears on the display.
2. Select "CRUISE" with $\blacktriangle \blacktriangleright$ or $\blacktriangleleft \blacktriangleleft$ until it appears.
3. Select the desired mode with the control dial.
The cruise mode changes as follows:

CRUISE 1 \longleftrightarrow CRUISE 2 \longleftrightarrow OFF \longleftrightarrow

When this function is turned on (the CRUISE indicator lights up on the display), the proper volume level is automatically selected among the 3 possible levels according to the driving speed, and the selected level is shown on the display.



ENGLISH

Selecting the level display

You can select the level display according to your preference. When shipped from the factory, "AUDIO 2" is selected.

- AUDIO 1: Shows the audio level indicator and the equalization pattern indicator
- AUDIO 2: Alternates "AUDIO 1" setting and illumination display
- OFF: Erases the audio level indicator and the equalization pattern indicator

1. Press and hold SEL (Select) for more than 2 seconds so that one of the PSM items appears on the display.
2. Select "LEVEL" with $\blacktriangle \blacktriangleright$ or $\blacktriangleleft \blacktriangleleft$.
3. Select the desired mode with the control dial.
The level display setting changes as follows:

AUDIO 1 \longleftrightarrow AUDIO 2 \longleftrightarrow OFF \longleftrightarrow

Selecting the dimmer mode

When you turn on the car head lights, the display automatically dims (Auto Dimmer).

When shipped from the factory, Auto Dimmer mode is activated.

- AUTO: Activates Auto Dimmer
- OFF: Cancels Auto Dimmer
- ON: Always dims the display

1. Press and hold SEL (Select) for more than 2 seconds so that one of the PSM items appears on the display.
2. Select "DIMMER" with $\blacktriangle \blacktriangleright$ or $\blacktriangleleft \blacktriangleleft$.
3. Select the desired mode with the control dial.
The dimmer mode changes as follows:

AUTO \longleftrightarrow OFF \longleftrightarrow ON \longleftrightarrow

Note on Auto Dimmer:

Auto Dimmer equipped with this unit may not work correctly on some vehicles, particularly on those having a control dial for dimming.

In this case, set the dimmer mode to "ON" or "OFF".



ENGLISH

If Audio Cruise does not function correctly

You may need to store the idling speed into memory to make Audio Cruise function correctly.

NOTICE that a number of factors, such as electric power steering, wipers, power windows, air conditioner, etc. do generate noises and, as a result, may cause Audio Cruise not to function correctly. If this is the main cause of malfunction, connect the memory backup lead (yellow lead) directly to the car battery to prevent these noises from affecting Audio Cruise.

1. Start the engine and let it warm up.
2. Press and hold SEL (Select) for more than 2 seconds so that one of the PSM items appears on the display.
3. Select "CRUISE" with $\blacktriangle \blacktriangleright$ or $\blacktriangleleft \blacktriangleleft$.
4. Select either "CRUISE 1" or "CRUISE 2" with the control dial.
5. Select "RPM SET" with $\blacktriangle \blacktriangleright$ or $\blacktriangleleft \blacktriangleleft$.
6. Select the desired idling speed as you want with the control dial.

When the setting is complete, the unit automatically checks to see if Audio Cruise functions correctly with this new idling setting. If it does not function correctly, Audio Cruise is canceled automatically and the idling setting becomes invalid.

• If this happens, see the NOTICE above.

To adjust the volume increase rate

If you find Audio Cruise increases (or decreases) the volume either too much or too little as the driving speed changes. You can adjust the increase rate by changing the boost level. To change it, follow the procedure below.

1. Press and hold SEL (Select) for more than 2 seconds so that one of the PSM items appears on the display.
2. Select "CRUISE" with $\blacktriangle \blacktriangleright$ or $\blacktriangleleft \blacktriangleleft$.
3. Select either "CRUISE 1" or "CRUISE 2" with the control dial.
4. Select "BOOST" with $\blacktriangle \blacktriangleright$ or $\blacktriangleleft \blacktriangleleft$.
The current boost level appears on the display.
5. Select the desired boost level (among 01 to 15) as you want while the current boost level is shown on the display with the control dial.
 - To increase the volume increase rate, rotate it clockwise.
 - To decrease the volume increase rate, rotate it counterclockwise.



Turning on/off the key-touch tone

You can deactivate the key-touch tone if you do not want to make it beep when you press a button. When shipped from the factory, the key-touch tone is activated.

- ON: Activates the key-touch tone.
- OFF: Deactivates the key-touch tone.

1. Press and hold SEL (Select) for more than 2 seconds so that one of the PSM items appears on the display.
2. Select "BEEP" with \blacktriangle or \blacktriangleright or \blacktriangleleft or \blacktriangleleft .
3. Select the desired mode with the control dial.
The key-touch tone alternates between on and off.

ON \leftrightarrow OFF

Selecting the scroll mode

You can select the scroll mode for the name display and disc information if it consists of more than 8 characters. When shipped from the factory, Auto Scroll mode is set to "ONCE."

- ONCE: Scrolls only once
- AUTO: Repeats the scroll (5-second intervals in between)
- OFF: Cancels Auto Scroll

1. Press and hold SEL (Select) for more than 2 seconds so that one of the PSM items appears on the display.
2. Select "SCROLL" with \blacktriangle or \blacktriangleright or \blacktriangleleft or \blacktriangleleft .
3. Select the desired mode with the control dial.
The scroll mode changes as follows:

\rightarrow ONCE \leftrightarrow AUTO \leftrightarrow OFF \leftarrow

Note:
Even if the scroll mode is set to "OFF," you can scroll the display by pressing DISP for more than 1 second.

Selecting the subwoofer cutoff frequency

When a subwoofer is connected to this unit, select an appropriate cutoff frequency level for your subwoofer. When shipped from the factory, the subwoofer cutoff frequency is set to "MID."

- MID: Frequencies higher than 80 Hz are cut off to the subwoofer.
- HIGH: Frequencies higher than 120 Hz are cut off to the subwoofer.
- LOW: Frequencies higher than 50 Hz are cut off to the subwoofer.

1. Press and hold SEL (Select) for more than 2 seconds so that one of the PSM items appears on the display.
2. Select "CUTOFF F" with \blacktriangle or \blacktriangleright or \blacktriangleleft or \blacktriangleleft .
3. Select the desired mode with the control dial.
The subwoofer cutoff frequency changes as follows:

\rightarrow MID \leftrightarrow HIGH \leftrightarrow LOW \leftarrow



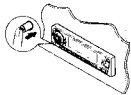
Detaching the control panel

You can detach the control panel when leaving the car. When detaching or attaching the control panel, be careful not to damage the connectors on the back of the control panel and on the panel holder.

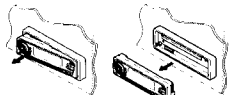
How to detach the control panel

Before detaching the control panel, be sure to turn off the power.

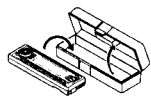
1. Unlock the control panel.



2. Pull the control panel out of the unit.

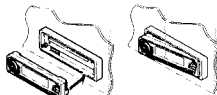


3. Put the detached control panel into the provided case.



How to attach the control panel

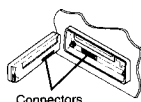
1. Insert the right side of the control panel into the groove on the panel holder.



2. Press the left side of the control panel to fix it to the panel holder.



Note on cleaning the connectors:
If you frequently detach the control panel, the connectors will deteriorate. To minimize this possibility, periodically wipe the connectors with a cotton swab or cloth moistened with alcohol, being careful not to damage the connectors.



Connectors



Changing the AM/FM channel intervals

When this unit is shipped from the factory, the channel intervals are set to 10 kHz for AM and 200 kHz for FM (AREA US settings). You will have to change the channel intervals when using this unit in an area other than North America and South America.

- AREA EU: Select this when using this unit in an area other than North and South America. (9 kHz for AM and 50 kHz (for manual tuning) / 100 kHz (for searching) for FM)
- AREA US: Select this when using this unit in North or South America. (10 kHz for AM and 200 kHz for FM)

1. Press and hold SEL (Select) for more than 2 seconds so that one of the PSM items appears on the display.
2. Select "AREA" with \blacktriangle or \blacktriangleright or \blacktriangleleft or \blacktriangleleft .
3. Select the desired mode with the control dial.
The AM/FM channel interval changes as follows:

AREA EU \leftrightarrow AREA US

Selecting the external component to use

You can connect the external component to the CD changer jack on the rear using the Line Input Adaptor KS-U57 (not supplied). To use the external component as the playback source through this unit, you need to select which component — CD changer or external component — to use. When shipped from the factory, CD changer is selected as the external component.

- LINE IN: To use the external component other than CD changer
- CHANGER: To use the CD changer

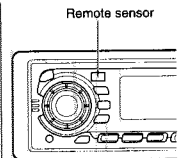
1. Change the source to FM, AM or CD with FM/AM or CD.
2. Press and hold SEL (Select) for more than 2 seconds so that one of the PSM items appears on the display.
3. Select "LINE IN" with \blacktriangle or \blacktriangleright or \blacktriangleleft or \blacktriangleleft .
4. Select the desired mode with the control dial.
The external component selecting mode changes as follows:

LINE IN \leftrightarrow CHANGER

Note:
For connecting the Line Input Adaptor KS-U57 and the external component, refer to the Installation/Connection Manual (separate volume).

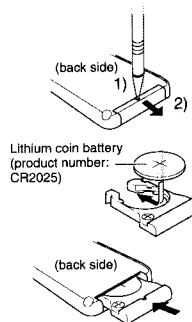
REMOTE OPERATIONS

- Before using the remote controller:
- Aim the remote controller directly at the remote sensor on the main unit. Make sure there is no obstacle in between.
 - Do not expose the remote sensor to strong light (direct sunlight or artificial lighting).



Installing the battery

When the controllable range or effectiveness of the remote controller decreases, replace the battery.



1. **Remove the battery holder.**
 - 1) Push out in the direction indicated by the arrow using a ball point pen or a similar tool.
 - 2) Remove the battery holder.
2. **Place the battery.**
Slide the battery into the holder with the + side facing upwards so that the battery is fixed in the holder.
3. **Return the battery holder.**
Insert again the battery holder pushing it until you hear a clicking sound.

WARNING:

- Store the batteries in a place which children cannot reach.
- If a child accidentally swallows the battery, immediately consult a doctor.
- Do not recharge, short, disassemble or heat the batteries or dispose of in a fire.
- Doing any of these things may cause the batteries to give off heat, crack or start a fire.
- Do not leave the batteries with other metallic materials.
- Doing this may cause the batteries to give off heat, crack or start a fire.
- When throwing away or saving the batteries, wrap in tape and insulate; otherwise, it may cause the batteries to give off heat, crack or start a fire.
- Do not poke the batteries with tweezers or similar tools.
- Doing this may cause the batteries to give off heat, crack or start a fire.

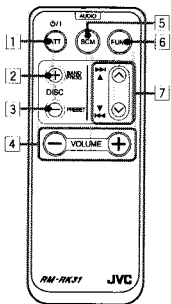
CD CHANGER OPERATIONS

We recommend that you use one of the CH-X series (ex: CH-X1200) with your unit. If you have another CD automatic changer, consult your JVC car audio dealer for connections. *For example, if your CD automatic changer is one of the KD-MK series, you need a cord (KS-U15K) for connecting it to this unit.*

Before operating your CD automatic changer:

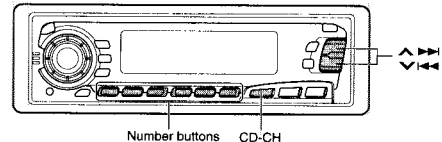
- Refer also to the instructions supplied with your CD changer.
- If no discs are in the magazine of the CD changer or the discs are inserted upside down, "NO DISC" will appear on the display. If this happens, remove the magazine and set the discs correctly.
- If "RESET 1 - RESET 8" appears on the display, something is wrong with the connection between this unit and the CD changer. If this happens, check the connection, connect the connecting cord(s) firmly if necessary, then press the reset button of the CD changer.

Using the remote controller

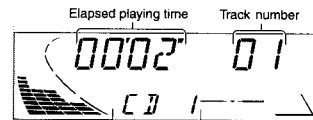


- Functions the same as the Φ /I/ATT button on the main unit.
- Functions as the BAND button while listening to the radio. Each time you press the button, the band changes.
 - Functions as the DISC + button while listening to the CD changer. Each time you press the button, the disc number increases, and the selected disc starts playing.
 - Does not function as the PROG button.
- Functions as the PRESET button while listening to the radio. Each time you press the button, the preset station number increases, and the selected station is tuned in.
 - Functions as the DISC - button while listening to the CD changer. Each time you press the button, the disc number decreases, and the selected disc starts playing.
- Functions the same as the control dial on the main unit. **Note:** This button does not function for the preferred setting mode adjustment.
- Select the sound mode. Each time you press SCM (Sound Control Memory), the mode changes.
- Select the source. Each time you press FUNC (function), the source changes.
 - Searches stations while listening to the radio.
 - Fast forwards or reverses the track if pressed and held while listening to a CD.
 - Skips to the beginning of the next tracks or goes back to the beginning of the current (or previous tracks) if pressed briefly while listening to a CD.

Playing CDs



Select the CD automatic changer. Playback starts from the first track of the first disc. All tracks of all discs are played back.



Disc number (or clock time: see page 24) appears.

Note on One-Touch Operation: When you press CD-CH, the power automatically comes on. You do not have to press Φ /I/ATT to turn on the power.

To fast-forward or reverse the track

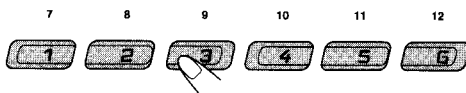
- Press and hold $\blacktriangle \triangleright \blacktriangleright$, while playing a CD, to fast-forward the track.
- Press and hold $\blacktriangleleft \triangleleft$, while playing a CD, to reverse the track.

To go to the next tracks or the previous tracks

- Press $\blacktriangle \triangleright$ briefly, while playing a CD, to go ahead to the beginning of the next track. Each time you press the button consecutively, the beginning of the next tracks is located and played back.

- Press $\blacktriangleleft \triangleleft$ briefly, while playing a CD, to go back to the beginning of the current track. Each time you press the button consecutively, the beginning of the previous tracks is located and played back.

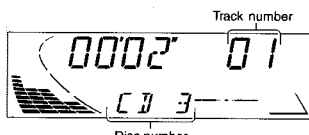
To go to a particular disc directly



Press the number button corresponding to the disc number to start its playback (while the CD changer is playing).

- To select a disc number from 1 - 6: Press 1 (7) - 6 (12) briefly.
- To select a disc number from 7 - 12: Press and hold 1 (7) - 6 (12) for more than 1 second.

Ex. When disc number 3 is selected



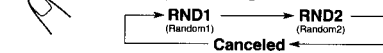
To show the CD Text information

See "Playing a CD Text" on page 15.

Selecting CD playback modes

To play back tracks at random (Random Play)

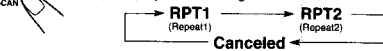
Each time you press MO/RND (Mono/Random) while playing a CD, CD random play mode changes as follows:



Mode	RND Indicator	Plays at random
RND1	Lights	All tracks of the current disc, then the tracks of the next disc, and so on.
RND2	Flashes	All tracks of all discs inserted in the magazine.

To play back tracks repeatedly (Repeat Play)

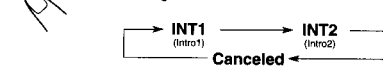
Each time you press RPT/SCAN (Repeat/Scan) while playing a CD, CD repeat play mode changes as follows:



Mode	RPT Indicator	Plays repeatedly
RPT1	Lights	The current track (or specified track).
RPT2	Flashes	All tracks of the current disc (or specified disc).

To play back only intros (Intro Scan)

Each time you press INT (Intro) briefly while playing a CD, CD intro scan mode changes as follows:

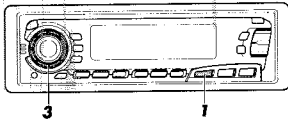


Mode	Indication	Plays the beginnings (15 seconds)
INT1	Track number flashes	Of all tracks on all inserted discs.
INT2	Disc number flashes	Of the first track on each inserted disc.

EXTERNAL COMPONENT OPERATIONS

Playing an external component

You can connect the external component to the CD changer jack on the rear using the Line Input Adaptor KS-U57 (not supplied).



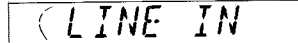
Preparations:

- For connecting the Line Input Adaptor KS-U57 and the external component, refer to the Installation/Connection Manual (separate volume).
- Before operating the external component using the following procedure, select the external input correctly. (See "Selecting the external component to use" on page 29.)

1



Select the external component.



- If "LINE IN" does not appear on the display, see page 29 and select the external input ("LINE IN").
- Displayed only when one of the following sources is selected --- FM, AM and CD.

Note on One-Touch Operation:

When you press CD-CH, the power automatically comes on. You do not have to press $\text{O}/\text{I}/\text{ATT}$ to turn on the power.

2

Turn on the connected component and start playing the source.

3



Adjust the volume.

Using a subwoofer

By connecting a subwoofer to the SUB WOOFER plugs on the rear, you can enjoy enhanced bass sounds and a more realistic theater atmosphere in your car.

- Refer also to the instructions supplied with your subwoofer.

To set the subwoofer cutoff frequency, refer to "Selecting the subwoofer cutoff frequency" on page 28.

To adjust the subwoofer output volume, refer to "Adjusting the sound" on page 16.

TROUBLESHOOTING

What appears to be trouble is not always serious. Check the following points before calling a service centre.

Symptoms	Causes	Remedies
CD cannot be played back.	CD is inserted upside down.	Insert the CD correctly.
CD sound is sometimes interrupted.	You are driving on rough roads.	Stop CD play while driving on rough roads.
	CD is scratched.	Change the CD.
	Connections are incorrect.	Check the cords and connections.
Sound cannot be heard from the speakers.	The volume is set to the minimum level.	Adjust it to the optimum level.
	Connections are incorrect.	Check the cords and connections.
SSM (Strong-station Sequential Memory) automatic preset does not work.	Signals are too weak.	Store stations manually.
Static noise while listening to the radio.	The antenna is not connected firmly.	Connect the antenna firmly.
"NO DISC" appears on the display.	No CD is in the loading slot (or in the magazine).	Insert CD.
	CD is inserted incorrectly.	Insert it correctly.
"RESET 8" appears on the display.	This unit is not connected to a CD changer correctly.	Connect this unit and the CD changer correctly and press the reset button of the CD changer.
"RESET 1-RESET 7" appears on the display.		Press the reset button of the CD changer.
CD can be neither played back nor ejected.	The CD player may function incorrectly.	Press CD and SEL at the same time for several seconds. ("PLEASE" and "EJECT" appear on the display alternately.) When you open the control panel by pressing Δ , be careful not to drop CD when it is ejected.
	The built-in microcomputer may function incorrectly due to noise, etc.	Press $\text{O}/\text{I}/\text{ATT}$ and SEL at the same time for several seconds to reset the unit. (The clock setting and preset stations stored in memory are erased.) (See page 2.)
This unit does not work at all. The CD changer does not work at all.		

MAINTENANCE

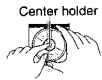
Handling CDs

This unit has been designed only to reproduce the CDs bearing the and marks. Other discs cannot be played back.

How to handle CDs

When removing a CD from its case, press down the center holder of the case and lift the CD out, holding it by the edges.

- Always hold the CD by the edges. Do not touch its recording surface.



When storing a CD into its case, gently insert the CD around the center holder (with the printed surface facing up).

- Make sure to store CDs into the cases after use.

To keep CDs clean

A dirty CD may not play correctly. If a CD does become dirty, wipe it with a soft cloth in a straight line from center to edge.



To play new CDs

New CDs may have some rough spots around the inner and outer edges. If such a CD is used, this unit may reject the CD.

Moisture condensation

Moisture may condense on the lens inside the CD player in the following cases:

- After starting the heater in the car.
 - If it becomes very humid inside the car.
- Should this occur, the CD player may malfunction. In this case, eject the CD and leave the unit turned on for a few hours until the moisture evaporates.



CAUTIONS:

- Do not insert 8cm (3 1/16") CDs (single CDs) into the loading slot. (Such CDs cannot be ejected.)
- Do not insert any CD of unusual shape - like a heart or flower; otherwise, it will cause a malfunction.
- Do not expose CDs to direct sunlight or any heat source or place them in a place subject to high temperature and humidity. Do not leave them in a car.
- Do not use any solvent (for example, conventional record cleaner, spray, thinner, benzene, etc.) to clean CDs.

When playing a CD-R (Recordable)

You can play back your original CD-Rs on this receiver.

- Before playing back CD-Rs, read their instructions or cautions carefully.
- Some CD-Rs recorded on CD recorders may not be played back on this receiver because of their disc characteristics, and of the following reasons:
 - Discs are dirty or scratched.
 - Moisture condensation occurs on the lens inside the unit.
 - The pickup lens inside the CD player is dirty.
- Use only "finalized" CD-Rs.
- CD-RWs (Rewritable) cannot be played back on this receiver.
- Do not use the CD-Rs with stickers or sticking labels on the surface. They may cause malfunctions.

About mistracking:

Mistracking may result from driving on extremely rough roads. This does not damage the unit and the CD, but will be annoying. We recommend that you stop CD play while driving on such rough roads.

SPECIFICATIONS

AUDIO AMPLIFIER SECTION

Maximum Power Output:
 Front: 45 W per channel
 Rear: 45 W per channel
 Continuous Power Output (RMS):
 Front: 17 W per channel into 4 Ω , 40 Hz to 20,000 Hz at no more than 0.8 % total harmonic distortion.
 Rear: 17 W per channel into 4 Ω , 40 Hz to 20,000 Hz at no more than 0.8 % total harmonic distortion.
 Load Impedance: 4 Ω (4 Ω to 8 Ω allowance)
 Tone Control Range:
 Bass: ± 10 dB at 100 Hz
 Treble: ± 10 dB at 10 kHz
 Frequency Response: 40 Hz to 20,000 Hz
 Signal-to-Noise Ratio: 70 dB
 Line-Out Level/Impedance:
 4.0 V/20 k Ω load (full scale)
 Output Impedance: 1 k Ω

TUNER SECTION

Frequency Range:
 FM: 87.5 MHz to 107.9 MHz
 (with channel interval set to 200 kHz)
 87.5 MHz to 108.0 MHz
 (with channel interval set to 50 kHz)
 AM: 530 kHz to 1,710 kHz
 (with channel interval set to 10 kHz)
 531 kHz to 1,602 kHz
 (with channel interval set to 9 kHz)

[FM Tuner]

Usable Sensitivity: 11.3 dBf (1.0 $\mu\text{V}/75 \Omega$)
 50 dB Quieting Sensitivity:
 16.3 dBf (1.8 $\mu\text{V}/75 \Omega$)
 Alternate Channel Selectivity (400 kHz):
 65 dB
 Frequency Response: 40 Hz to 15,000 Hz
 Stereo Separation: 35 dB
 Capture Ratio: 1.5 dB

[AM Tuner]

Sensitivity: 20 μV
 Selectivity: 35 dB

CD PLAYER SECTION

Type: Compact disc player
 Signal Detection System: Non-contact optical pickup (semiconductor laser)
 Number of channels: 2 channels (stereo)
 Frequency Response: 5 Hz to 20,000 Hz
 Dynamic Range: 96 dB
 Signal-to-Noise Ratio: 98 dB
 Wow and Flutter: Less than measurable limit

GENERAL

Power Requirement:
 Operating Voltage: DC 14.4 V (11 V to 16 V allowance)
 Allowable Working Temperature:
 0°C to +40°C (32°F to 104°F)
 Grounding System: Negative ground
 Dimensions (W x H x D):
 Installation Size:
 182 mm x 52 mm x 150 mm
 (7-3/16" x 2-1/16" x 5-15/16")
 Panel Size: 188 mm x 58 mm x 11 mm
 (7-7/16" x 2-5/16" x 7/16")
 Mass: 1.4 kg (3.1 lbs) (excluding accessories)

Design and specifications subject to change without notice.

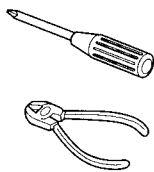
If a kit is necessary for your car, consult your telephone directory for the nearest car audio speciality shop.

JVC KD-SX950

Installation/Connection Manual Manual de instalación/conexión Manuel d'installation/raccordement

FSUN3114-T631
[J]

1299MNMMDWJES
EN, SP, FR



ENGLISH

- This unit is designed to operate on 12 volts DC, NEGATIVE ground electrical systems.

INSTALLATION (IN-DASH MOUNTING)

- The following illustration shows a typical installation. However, you should make adjustments corresponding to your specific car. If you have any questions or require information regarding installation kits, consult your JVC car audio dealer or a company supplying kits.

- Before mounting:** Press ▲ (Control Panel Release button) to detach the control panel.
- Remove the trim plate.
- Remove the sleeve after disengaging the sleeve locks.
 - Stand the unit.

Note: When you stand the unit, be careful not to damage the fuse on the rear.

 - Insert the 2 handles between the unit and the sleeve, as illustrated, to disengage the sleeve locks.
 - Remove the sleeve.

Note: Be sure to keep the handles for future use after installing the unit.
- Install the sleeve into the dashboard.
 - After the sleeve is correctly installed in the dashboard, bend the appropriate tabs to hold the sleeve firmly in place, as illustrated.
- Fix the mounting bolt to the rear of the unit's body and place the rubber cushion over the end of the bolt.
- Do the required electrical connections explained on the back of this instructions.
- Slide the unit into the sleeve.
- Attach the trim plate so that the projection on the trim plate is fixed to the left side of the unit.
- Attach the control panel.

ESPAÑOL

- Esta unidad está diseñada para funcionar con 12 voltios de CC, con sistemas eléctricos de masa NEGATIVA.

INSTALACION (MONTAJE EN EL TABLERO DE INSTRUMENTOS)

- La siguiente ilustración muestra una instalación típica. Sin embargo usted deberá efectuar los ajustes correspondientes a su automóvil. Si tiene alguna pregunta o necesita información acerca de las herramientas para instalación, consulte con su concesionario de JVC de equipos de audio para automóviles o a una compañía que suministra tales herramientas.

- Antes de instalar:** Presione ▲ (botón de liberación del panel de control) para desmontar el panel de control.
- Retire la placa de guarnición.
- Retire la cubierta después de desenganchar los retenes de la cubierta.
 - Ponga la unidad vertical.

Nota: Al poner la unidad vertical, tenga cuidado de no dañar el fusible provisto en la parte posterior.

 - Inserte las dos asas entre la unidad y la cubierta tal como en la ilustración y desenganche los retenes de la cubierta.
 - Retire la cubierta.

Nota: Después de instalar la unidad, asegúrese de guardar las asas para uso futuro.
- Instale la cubierta en el tablero de instrumentos.
 - Después de que la cubierta esté correctamente instalada en el tablero de instrumentos, doble las lengüetas correspondientes para sostener la cubierta firmemente en su lugar, tal como se muestra.
- Fije el perno de montaje en la parte trasera del cuerpo de la unidad y coloque el cojin de goma sobre el extremo del perno.
- Realice las conexiones eléctricas requeridas en base a las explicaciones que figuran en la parte de atrás de estas instrucciones.
- Deslice la unidad dentro de la cubierta hasta que quede trabada.
- Coloque la placa de guarnición de manera que el saliente de la misma quede colocado en el lateral izquierdo de la unidad.
- Coloque el panel de control.

FRANÇAIS

- Cet appareil est conçu pour fonctionner sur des sources de courant continu de 12 volts à masse NEGATIVE.

INSTALLATION (MONTAGE DANS LE TABLEAU DE BORD)

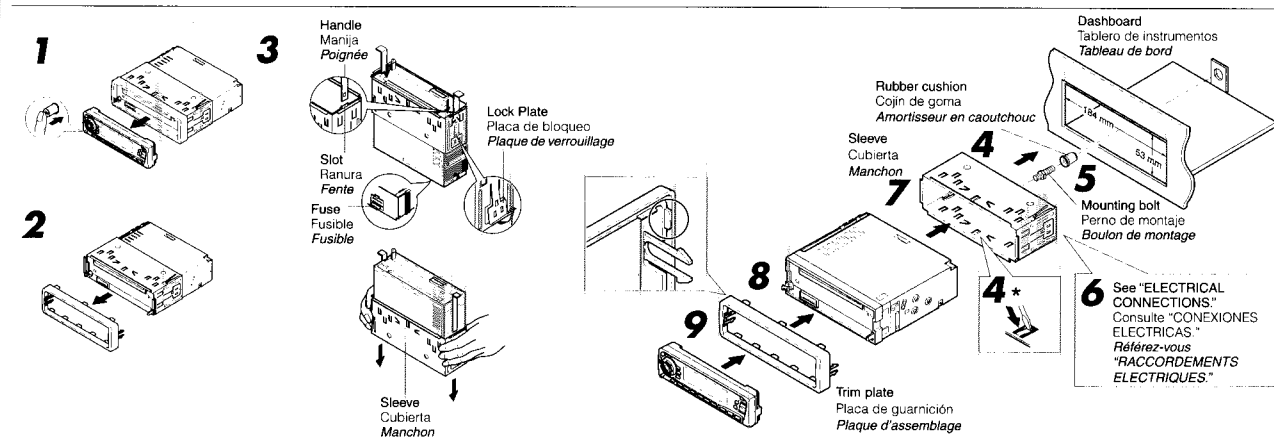
- L'illustration suivante est un exemple d'installation typique. Cependant, vous devez faire les ajustements correspondant à votre voiture particulière. Si vous avez des questions ou avez besoin d'information sur des kits d'installation, consulter votre revendeur d'autoradios JVC ou une compagnie d'approvisionnement.

- Avant le montage:** Appuyer sur ▲ (touche de libération du panneau de commande) pour détacher le panneau de commande.
- Retirer la plaque d'assemblage.
- Libérer les verrous du manchon et retirer le manchon.
 - Poser l'appareil à la verticale.

Remarque: Lorsque vous mettez l'appareil à la verticale, faire attention de ne pas endommager le fusible situé sur le fond.

 - Insérer les 2 poignées entre l'appareil et le manchon comme indiqué pour désengager les verrous de manchon.
 - Retirer le manchon.

Remarque: S'assurer de garder les poignées pour une utilisation ultérieure, après l'installation de l'appareil.
- Installer le manchon dans le tableau de bord.
 - Après installation correcte du manchon dans le tableau de bord, plier les bonnes pattes pour maintenir fermement le manchon en place, comme montré.
- Monter le boulon de montage sur l'arrière du corps de l'appareil puis passer l'amortisseur en caoutchouc sur l'extrémité du boulon.
- Réalisez les connexions électriques expliquées au dos de cette page.
- Faites glisser l'appareil dans le manchon jusqu'à ce qu'il soit verrouillé.
- Attachez la plaque d'ajustage de façon que la projection de la plaque soit fixée sur le côté gauche de l'appareil.
- Remonter le panneau de commande.



TROUBLESHOOTING

- The fuse blows.**
 - Are the red and black leads connected correctly?
- Power cannot be turned on.**
 - Is the yellow lead connected?
- No sound from the speakers.**
 - Is the speaker output lead short-circuited?
- Sound is distorted.**
 - Is the speaker output lead grounded?
 - Are the "-" terminals of L and R speakers grounded in common?
- Unit becomes hot.**
 - Is the speaker output lead grounded?
 - Are the "-" terminals of L and R speakers grounded in common?

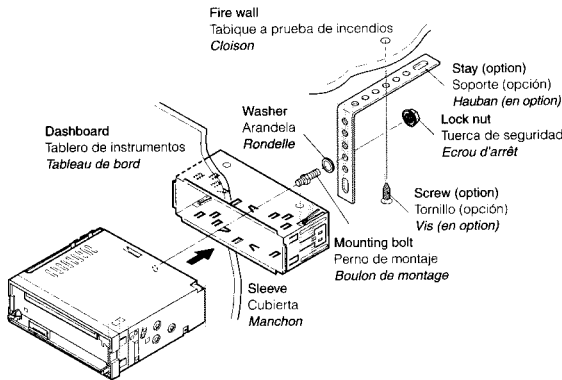
LOCALIZACION DE AVERIAS

- El fusible se quema.**
 - ¿Están los conductores rojo y negro correctamente conectados?
- No es posible conectar la alimentación.**
 - ¿Está el cable amarillo conectado?
- No sale sonido de los altavoces.**
 - ¿Está el cable de salida del altavoz cortocircuitado?
- El sonido presenta distorsión.**
 - ¿Está el cable de salida del altavoz conectado a masa?
 - ¿Están los terminales "-" de los altavoces L y R conectados a una masa común?
- La unidad se calienta.**
 - ¿Está el cable de salida del altavoz conectado a masa?
 - ¿Están los terminales "-" de los altavoces L y R conectados a una masa común?

EN CAS DE DIFFICULTÉS

- Le fusible saute.**
 - Les fils rouge et noir sont-ils raccordés correctement?
- L'appareil ne peut pas être mise sous tension.**
 - Le fil jaune est-elle raccordée?
- Pas de son des haut-parleurs.**
 - Le fil de sortie de haut-parleur est-il court-circuité?
- Le son est déformé.**
 - Le fil de sortie de haut-parleur est-il à la masse?
 - Les bornes "-" des haut-parleurs gauche et droit sont-elles mises ensemble à la masse?
- L'appareil devient chaud.**
 - Le fil de sortie de haut-parleur est-il à la masse?
 - Les bornes "-" des haut-parleurs gauche et droit sont-elles mises ensemble à la masse?

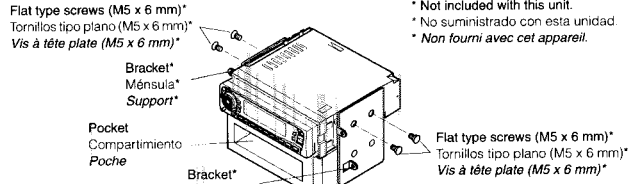
- When using the optional stay
- Cuando emplea un soporte opcional
- Lors de l'utilisation du hauban en option



- When installing the unit without using the sleeve
- Instalación de la unidad sin utilizar la cubierta
- Lors de l'installation de l'appareil sans utiliser de manchon

In a Toyota for example, first remove the car radio and install the unit in its place. En un Toyota por ejemplo, primero extraiga la radio del automóvil y luego instale la unidad en su lugar.

Par exemple dans une Toyota, retirer d'abord l'autoradio et installer l'appareil à la place.



Note: When installing the unit on the mounting bracket, make sure to use the 6 mm-long screws. If longer screws are used, they could damage the unit.

Nota: Cuando instala la unidad en la ménsula de montaje, asegúrese de utilizar los tornillos de 6 mm de longitud. Si se utilizan tornillos más largos, éstos pueden dañar la unidad.

Remarque: Lors de l'installation de l'appareil sur le support de montage, s'assurer d'utiliser des vis d'une longueur de 6 mm. Si des vis plus longues sont utilisées, elles peuvent endommager l'appareil.

Removing the unit

- Before removing the unit, release the rear section.
- 1 Remove the control panel.
- 2 Remove the trim plate.
- 3 Insert the 2 handles into the slots, as shown. Then, while gently pulling the handles away from each other, slide out the unit. (Be sure to keep the handles after installing it.)

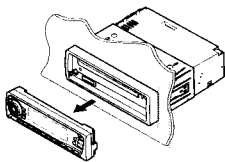
Extracción de la unidad

- Antes de extraer la unidad, libere la sección trasera.
- 1 Extraiga el panel de control.
- 2 Retire la placa de guarnición.
- 3 Inserte las 2 manijas entre las ranuras, como se muestra. Luego, separe gentilmente las manijas y extraiga la unidad. (Asegúrese de conservar las manijas después de instalarlo.)

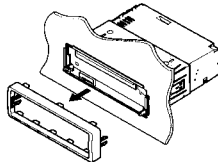
Retrait de l'appareil

- Avant de retirer l'appareil, libérer la section arrière.
- 1 Retirer le panneau de commande.
- 2 Retirer la plaque d'assemblage.
- 3 Introduire les deux poignées dans les fentes, comme montré. Puis, tout en tirant doucement les poignées écartées, faire glisser l'appareil pour le sortir. (S'assurer de conserver les poignées après l'installation de l'appareil.)

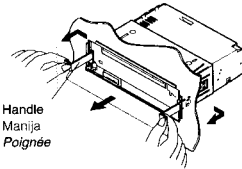
1



2



3



Parts list for installation and connection

The following parts are provided with this unit. After checking them, please set them correctly.

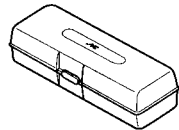
Lista de piezas para instalación y conexión

Con esta unidad se suministran las siguientes piezas. Después de inspeccionarlas, colóquelas correctamente.

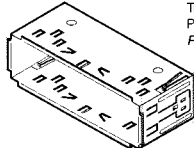
Liste des pièces pour l'installation et raccordement

Les pièces suivantes sont fournies avec cet appareil. Après vérification, veuillez les placer correctement.

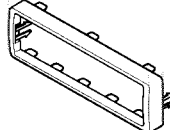
Hard case
Estuche duro
Etui de transport



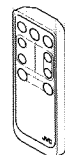
Sleeve
Cubierta
Manchon



Trim plate
Placa de guarnición
Plaque d'assemblage



Remote controller
Control remoto
Télécommande



Battery
Pila
Pile



Power cord
Cordón de alimentación
Cordon d'alimentation



Handles
Manijas
Poignées



Washer (ø5)
Arandela (ø5)
Rondelle (ø5)



Lock nut (M5)
Tuerca de seguridad (M5)
Ecrou d'arrêt (M5)



Mounting bolt (M5 x 20 mm)
Perno de montaje (M5 x 20 mm)
Boulon de montage (M5 x 20 mm)



Rubber cushion
Cojin de goma
Amortisseur en caoutchouc



ENGLISH

ELECTRICAL CONNECTIONS

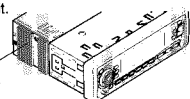
To prevent short circuits, we recommend that you disconnect the battery's negative terminal and make all electrical connections before installing the unit. If you are not sure how to install this unit correctly, have it installed by a qualified technician.

Note:

This unit is designed to operate only on 12 volts DC, NEGATIVE ground electrical systems. If your vehicle does not have this system, a voltage inverter is required, which can be purchased at JVC car audio dealers.

- Replace the fuse with one of the specified rating. If the fuse blows frequently, consult your JVC car audio dealer.
- If noise is a problem... This unit incorporates a noise filter in the power circuit. However, with some vehicles, clicking or other unwanted noise may occur. If this happens, connect the unit's rear ground terminal (see connection diagram) to the car's chassis using shorter and thicker cords, such as copper braiding or gauge wire. If noise still persists, consult your JVC car audio dealer.
- Maximum input of the speakers should be more than 45 watts at the rear and 45 watts at the front, with an impedance of 4 to 8 ohms.
- Be sure to ground this unit to the car's chassis.
- The heat sink becomes very hot after use. Be careful not to touch it when removing this unit.

Heat sink
Sumidero térmico
Dissipateur de chaleur



ESPAÑOL

CONEXIONES ELECTRICAS

Para evitar cortocircuitos, recomendamos que desconecte el terminal negativo de la batería y que efectúe todas las conexiones eléctricas antes de instalar la unidad. Si usted no está seguro de cómo instalar correctamente la unidad, hágala instalar por un técnico cualificado.

Nota:

Esta unidad está diseñada para funcionar con 12 voltios de CC, con sistemas eléctricos de masa NEGATIVA solamente. Si su vehículo no posee este sistema, será necesario un inversor de tensión, que puede ser adquirido en los concesionarios de JVC de equipos de audio para automóviles.

- Reemplace el fusible por uno con la corriente especificada. Si el fusible se quemase frecuentemente consulte con su concesionario de JVC de equipos de audio para automóviles.
- Si el ruido fuese un problema... Esta unidad tiene un filtro de ruido en el circuito de alimentación. Sin embargo, en algunos vehículos, pueden producirse chasquidos u otros ruidos indeseados. En tal caso conecte el terminal de tierra posterior (ver diagrama de conexión) del receptor al chasis del automóvil, utilizando cordones más gruesos y cortos tales como alambre de cobre trenzado o de grueso calibre. Si el ruido persiste, consulte a su concesionario de JVC de equipos de audio para automóvil.
- La entrada máxima de los altavoces traseros debe ser mayor de 45 vatios y la de los delanteros de 45 vatios, con una impedancia de 4 a 8 ohmios.
- Asegúrese de conectar esta unidad a tierra en el chasis del automóvil.
- El sumidero térmico estará muy caliente después del uso. Asegúrese de no tocarlo al desmontar esta unidad.

FRANÇAIS

RACCORDEMENTS ELECTRIQUES

Pour éviter tout court-circuit, nous vous recommandons de débrancher la borne négative de la batterie et d'effectuer tous les raccordements électriques avant d'installer l'appareil. Si l'on n'est pas sûr de pouvoir installer correctement cet appareil, le faire installer par un technicien qualifié.

Remarque:

Cet appareil est conçu pour fonctionner sur des sources de courant continu de 12 volts à masse NEGATIVE seulement. Si votre véhicule n'offre pas ce type d'alimentation, il vous faut un convertisseur de tension, que vous pouvez acheter chez un revendeur d'autoradios JVC.

- Remplacer le fusible par un de la valeur précisée. Si le fusible saute souvent, consulter votre revendeur d'autoradios JVC.
- Si le bruit est un problème... Cet appareil incorpore un filtre de bruit dans le circuit d'alimentation. Cependant, avec certains véhicules, quelques claquements ou autres bruits non désirés risquent de se produire. Si cela arrive, raccorder la borne de masse arrière de l'appareil au châssis de la voiture (voir le schéma de raccordement) en utilisant des cordons les plus gros et les plus courts possibles telle qu'une barre de cuivre ou une tresse. Si le bruit persiste, consulter votre revendeur d'autoradios JVC.
- La puissance admissible des haut-parleurs doit être supérieure à 45 watts à l'arrière et à 45 watts l'avant, avec une impédance de 4 à 8 ohms.
- S'assurer de raccorder la mise à la masse de cet appareil au châssis de la voiture.
- Le radiateur devient très chaud après usage. Faire attention de ne pas le toucher en retirant cet appareil.

A Typical Connections / Conexiones típicas / Raccordements typiques

Before connecting: Check the wiring in the vehicle carefully not to fail in connecting this unit. Incorrect connection may cause a serious damage to this unit.

- 1 Connect the colored leads of the power cord to the car battery, speakers and automatic antenna (if any) in the following sequence.
 - 1) Black: ground
 - 2) Yellow: to car battery (constant 12V)
 - 3) Red: to an accessory terminal
 - 4) Others: to speakers
 - 5) Blue with white stripe: to automatic antenna (200mA max.)
 - 6) Orange with white stripe: to car light control switch
- 2 Connect the antenna cord.
- 3 Finally connect the wiring harness to the unit.

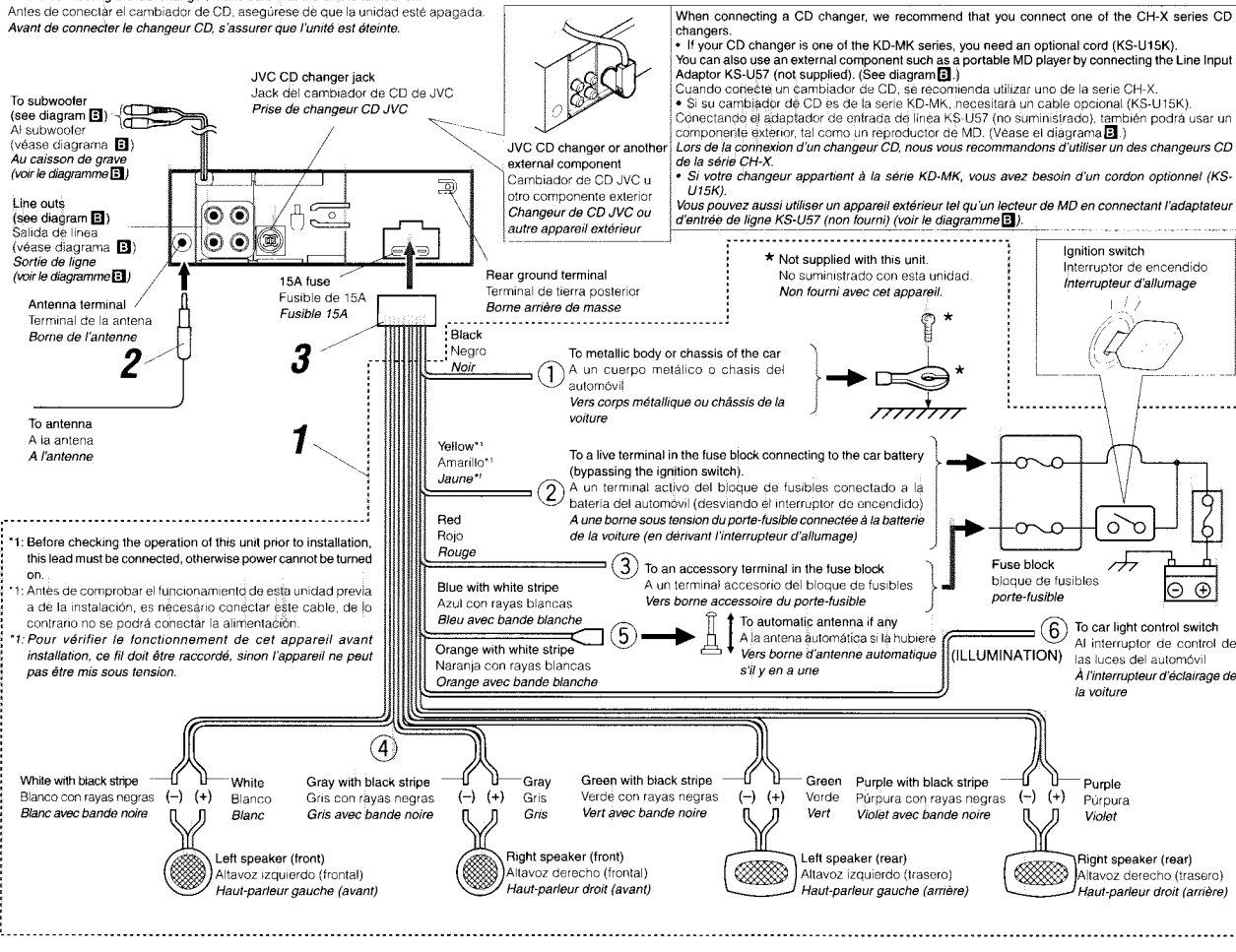
Antes de la conexión: Verifique atentamente el conexionado del vehículo para no cometer errores al conectar esta unidad. Una conexión incorrecta podría producir daños graves en la unidad.

- 1 Conecte los conductores de color del cable de alimentación a la batería del automóvil, altavoces y antena automática (si la hubiere) en la secuencia siguiente.
 - 1) Negro: a tierra
 - 2) Amarillo: a la batería del automóvil (12V constantes)
 - 3) Rojo: a un terminal de accesorio
 - 4) Otros: a los altavoces
 - 5) Azul con rayas blancas: a la antena automática (200mA máx.)
 - 6) Naranja con rayas blancas: al interruptor de control de las luces del automóvil
- 2 Conecte el cable de antena.
- 3 Por último, conecte a la unidad el cableado preformado.

Avant de commencer la connexion: vérifiez attentivement le câblage du véhicule pour ne pas connecter incorrectement cet appareil. Une connexion incorrecte peut endommager sérieusement l'appareil.

- 1 Connectez les fils de couleur du cordon d'alimentation à la batterie de la voiture, aux enceintes et à l'antenne automatique (s'il y en a une) dans l'ordre suivant.
 - 1) Noir: a la masse
 - 2) Jaune: a la batterie de la voiture (12V constant)
 - 3) Rouge: à la prise accessoire
 - 4) Autres fils: aux enceintes
 - 5) Bleu à bandes blanches: à l'antenne automatique (200mA max.)
 - 6) Orange avec bande blanche: à l'interrupteur d'éclairage de la voiture
- 2 Connectez le cordon d'antenne.
- 3 Finalement, connectez le faisceau de fils à l'appareil.

Before connecting the CD changer, make sure that the unit is turned off.
Antes de conectar el cambiador de CD, asegúrese de que la unidad esté apagada.
Avant de connecter le changeur CD, s'assurer que l'unité est éteinte.



*1: Before checking the operation of this unit prior to installation, this lead must be connected, otherwise power cannot be turned on.
*1: Antes de comprobar el funcionamiento de esta unidad previa a de la instalación, es necesario conectar este cable, de lo contrario no se podrá conectar la alimentación.
*1: Pour vérifier le fonctionnement de cet appareil avant installation, ce fil doit être raccordé, sinon l'appareil ne peut pas être mis sous tension.

PRECAUTIONS on power supply and speaker connections:

- DO NOT connect the speaker leads of the power cord to the car battery; otherwise, the unit will be seriously damaged.
- Connect the black lead (ground), yellow lead (to car battery, constant 12V), and red lead (to an accessory terminal) correctly.
- BEFORE connecting the speaker leads of the power cord to the speakers, check the speaker wiring in your car.
 - If the speaker wiring in your car is as illustrated in Fig. 1 and Fig. 2 below, DO NOT connect the unit using that original speaker wiring. If you do, the unit will be seriously damaged. Redo the speaker wiring so that you can connect the unit to the speakers as illustrated in Fig. 3.
 - If the speaker wiring in your car is as illustrated in Fig. 3, you can connect the unit using the original speaker wiring in your car.
 - If you are not sure of the speaker wiring of your car, consult your car dealer.

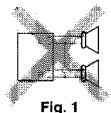


Fig. 1

PRECAUCIONES sobre las conexiones de la fuente de alimentación y de los altavoces:

- NO conecte los conductores de altavoz del cable de alimentación a la batería de automóvil, pues podrían producirse graves daños en la unidad.
- Conecte correctamente el conductor negro (a tierra), el conductor amarillo (a la batería del automóvil, 12V constantes), y el conductor rojo (a un terminal de accesorio).
- ANTES de conectar a los altavoces los conductores de altavoz del cable de alimentación, verifique el conexionado de altavoz de su automóvil.
 - Si el conexionado de altavoz de su automóvil es como se indica en las Figs. 1 y 2 de abajo, NO conecte la unidad utilizando ese conexionado de altavoz original. Si lo hace, se producirán daños graves en la unidad. Vuelva a efectuar el conexionado de altavoz de manera que pueda conectar la unidad a los altavoces de la manera indicada en la Fig. 3.
 - Si el conexionado de altavoz de su automóvil es como se indica en la Fig. 3, podrá conectar la unidad utilizando el conexionado de altavoz original de su automóvil.
 - Si tiene dudas sobre el conexionado de altavoz de su automóvil, consulte con su concesionario.

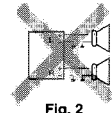


Fig. 2

PRECAUTIONS sur l'alimentation et la connexion des enceintes:

- NE CONNECTEZ PAS les fils d'enceintes du cordon d'alimentation à la batterie; sinon, l'appareil serait sérieusement endommagé.
- Connectez correctement le fil noir (à la masse), le fil jaune (à la batterie de la voiture, 12V constant) et le fil rouge (à la prise accessoire).
- AVANT de connecter les fils d'enceintes du cordon d'alimentation aux enceintes, vérifiez le câblage des enceintes de votre voiture.
 - Si le câblage des enceintes de votre voiture est réalisé comme montré sur la Fig. 1 ou Fig. 2 ci-dessous, NE CONNECTEZ PAS l'appareil en utilisant ce câblage original d'enceintes. Si vous le faites, l'appareil sera sérieusement endommagé. Recommencez le câblage des enceintes de façon que vous puissiez connecter l'appareil aux enceintes comme montré sur la Fig. 3.
 - Si le câblage des enceintes de votre voiture est comme montré sur la Fig. 3, vous pouvez connecter l'appareil en utilisant ce câblage original d'enceintes pour votre voiture.
 - Si vous n'êtes pas sûrs du câblage d'enceintes de votre voiture, consultez le concessionnaire de votre voiture.

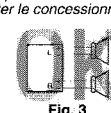
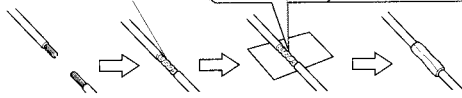


Fig. 3

Connecting the leads / Conexión de los conductores / Raccordement des fils

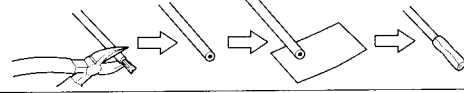
Twist the core wires when connecting.
Retuerza los alambres de alma para conectarlos.
Torsader les âmes des fils en les raccordant.



Solder the core wires to connect them securely.
Suelde los alambres de alma para conectarlos con firmeza.
Souder les âmes des fils pour les raccorder entre eux de façon sûre.

CAUTION / PRECAUCION / PRECAUTION:

- To prevent short-circuit, cover the terminals of the UNUSED leads with insulating tape.
- Para evitar cortocircuitos, cubra los cables NO UTILIZADOS con cinta aislante.
- Pour éviter les court-circuits, couvrir les bornes des fils qui ne sont PAS utilisés avec de la bande isolante



B Connections Adding Other Equipment / Conexiones para añadir otros equipos / Raccordement pour ajouter d'autres appareils

You can connect an amplifier and other equipment to upgrade your car stereo system.

- Connect the remote lead (blue with white stripe) to the remote lead of the other equipment so that it can be controlled through this unit.
- For amplifier only:
 - Connect this unit's line-out terminals to the amplifier's line-in terminals.
 - Disconnect the speakers from this unit, connect them to the amplifier. Leave the speaker leads of this unit unused. (Cover the terminals of these unused leads with insulating tape, as illustrated above.)
- For subwoofer only:
 - Connect this unit's SUB WOOFER plugs to the amplifier's line-in jacks.

- Usted podrá conectar un amplificador y otros equipos para mejorar el sistema estéreo de su automóvil.
- Conecte el conductor remoto (azul con rayas blancas) al conductor remoto del otro equipo para poderlo controlar a través de esta unidad.
 - Sólo para el amplificador:
 - Conecte los terminales de salida de línea de esta unidad con los terminales de entrada de línea del amplificador.
 - Desconecte los altavoces de esta unidad y conéctelos al amplificador. Los cables de los altavoces de esta unidad quedan sin usar. (Cubra los terminales de estos cables sin usar con cinta aislante, tal como se indica en la figura de arriba.)
 - Sólo para el subwoofer:
 - Conecte las clavijas SUB WOOFER de esta unidad a los jacks de entrada de línea del amplificador.

Vous pouvez connecter un amplificateur ou autre appareil pour améliorer votre système autoradio.

- Connectez le fil de commande à distance (bleu avec bande blanche) au fil de commande à distance de l'autre appareil de façon qu'il puisse être commandé via cet appareil.
- Pour l'amplificateur seulement:
 - Raccordez les bornes de sortie ligne de cet appareil aux bornes d'entrée ligne de l'amplificateur.
 - Déconnectez les enceintes de cet appareil et connectez-les à l'amplificateur. Laissez les fils d'enceintes de cet appareil inutilisés. (Recouvrez les extrémités de ces fils inutilisés avec de la bande isolante comme montré ci-dessus.)
- Pour le caisson de grave seulement:
 - Connectez les fiches SUB WOOFER de cet appareil aux prises d'entrée de ligne de l'amplificateur.

Amplifier / Amplificador / Amplificateur

The line output level of this unit is kept high to maintain the hi-fi sounds reproduced from this unit.

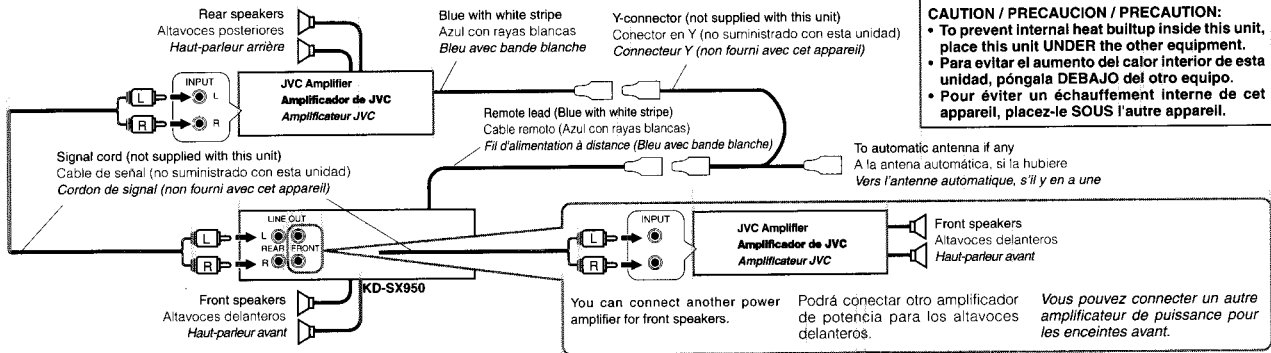
When connecting an external amplifier to this unit, turn down the gain control on the external amplifier to obtain the best performance from this unit.

El nivel de salida de línea de esta unidad permanece alto para que corresponda con los sonidos de alta fidelidad reproducidos por esta unidad.

Quando conecta un amplificador externo a esta unidad, disminuya el control de ganancia del amplificador externo para obtener un óptimo rendimiento de esta unidad.

Le niveau de sortie de ligne de cet appareil est maintenu à un niveau élevé pour maintenir une qualité HI-FI pour les sons reproduits par cet appareil.

Lors de la connexion d'un amplificateur extérieur à cet appareil, diminuez le réglage du gain sur l'amplificateur extérieur pour obtenir les meilleures performances de cet appareil.



Subwoofer / Subwoofer / Caisson de grave

You can connect a subwoofer to reinforce the bass.

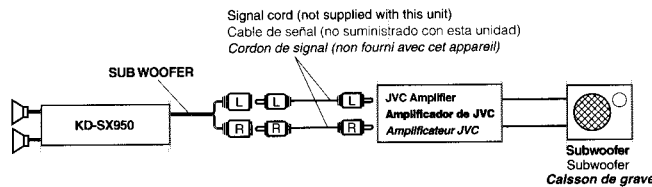
- For their connections, refer to the instructions supplied with your subwoofer.

Usted podrá conectar un subwoofer para reforzar los graves.

- Con respecto a sus conexiones, refiérase a las instrucciones suministradas con sus subwoofer.

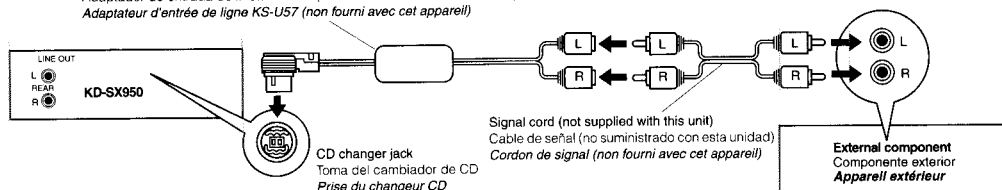
Vous pouvez connecter un caisson de grave pour renforcer les graves.

- Pour la connexion, référez-vous aux instructions fournies avec le caisson de grave.



External component / Componente exterior / Appareil extérieur

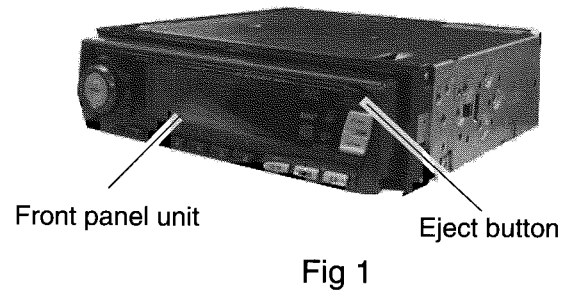
Line Input Adaptor KS-U57 (not supplied with this unit)
Adaptador de entrada de línea KS-U57 (no suministrado con esta unidad)
Adaptateur d'entrée de ligne KS-U57 (non fourni avec cet appareil)



Disassembly method

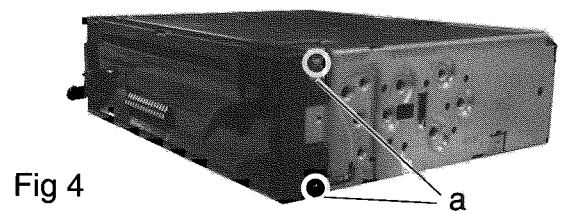
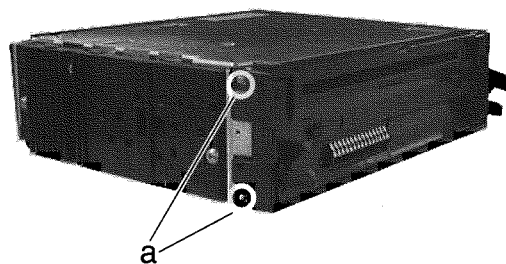
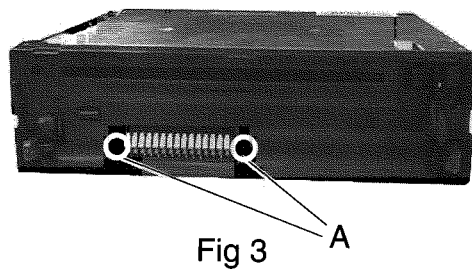
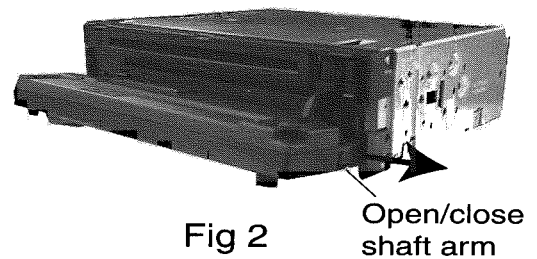
■ Removing the front panel unit

1. Press the Eject button to open the front panel unit (See fig 1)
2. Push and open the right and left open/close shaft arms outward to remove the shaft. (See fig 2)
3. Remove the front panel unit from the same side as the shaft was removed.



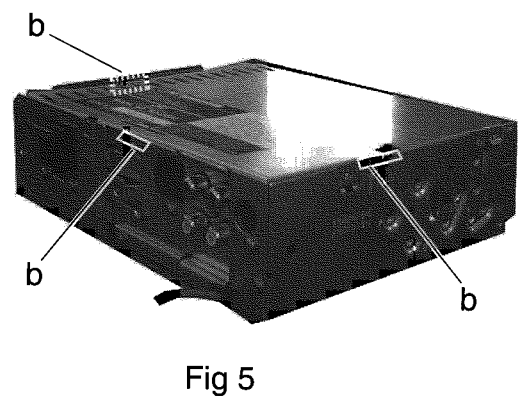
■ Removing the front chassis assembly

1. Remove the front panel unit.
2. Remove the two screws **A** securing the front chassis assembly. (See fig 3)
3. Remove the four ribs **a** securing the front chassis assembly to the chassis. (See fig 4)



■ Removing the bottom cover assembly

- Turn the unit upside down, then insert and turn to **b** the screwdriver to remove the bottom cover. (See fig 5)



■ **Removing the main board(wiht rear panel)**
(See fig6.7)

- 1.Remove three screws **E** retaining the rear panel to the chassis
- 2.Remove one screw **C** retaining the IC to the heat sink.
- 3.Remove two screws **D** retaining the main bord.
- 4.Lift up the main board to remove it.
- 5.Remove two screws **B** to remove the heat sink.

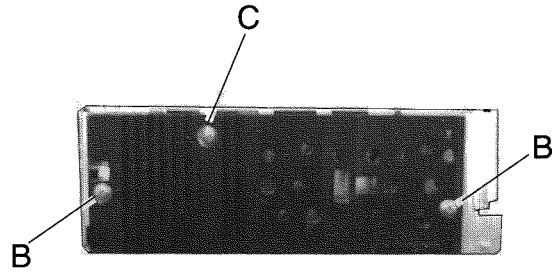


Fig 6

■ **Removing the rear brackt (See fig7)**

- 1.Remove one screw **I** to remove the IC bracket.
- 2.Remove one screw **F** to remove the line-out jack.
- 3.Remove one screw **G** to remove the antenna jack.
- 4.Remove one screw **H** to remove the connector.
- 5.Remove one screw **L** to remove the connector.

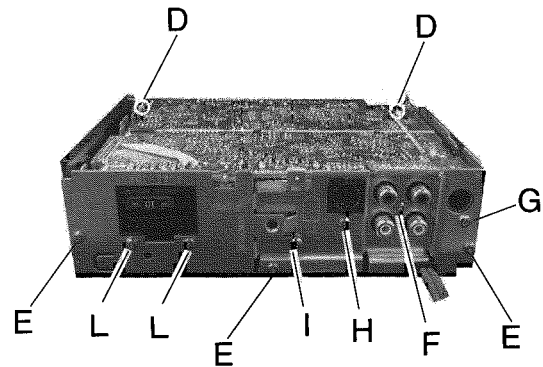


Fig 7

■ **CD mechanism assembly (See fig8)**

Remove three mechanism mounting screws **J** retaining the top cover.

■ **Front panel unit (See fig9)**

Remove five screws **K** retaining the rear cover.

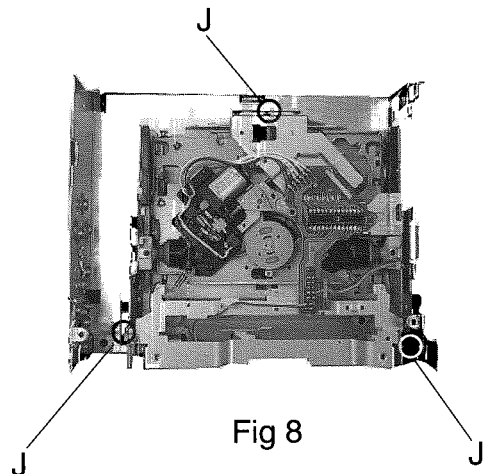


Fig 8

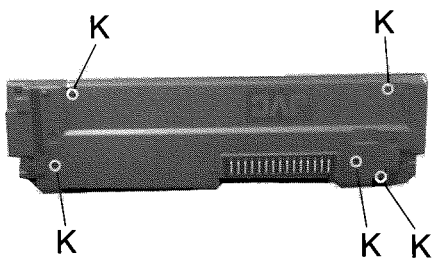


Fig 9

■ Removing the CD mechanism control board(See Fig.1 and 2)

Unsolder the part f and g on the CD mechanism control board.

Remove the stator fixing the CD mechanism control board and the damper bracket (To remove the stator smoothly, pick up the center part).

Remove the screw F attaching the CD mechanism control board.

Remove the CD mechanism control board in the direction of the arrow while releasing it from the two damper bracket slots i and the front bracket slot j.

Disconnect the flexible wire from connector on the pickup unit.

ATTENTION: Turn the FD gear in the direction of the arrow to move the entire pickup unit to the appropriate position where the flexible wire of the CD mechanism unit can be disconnected easily (Refer to Fig.2).

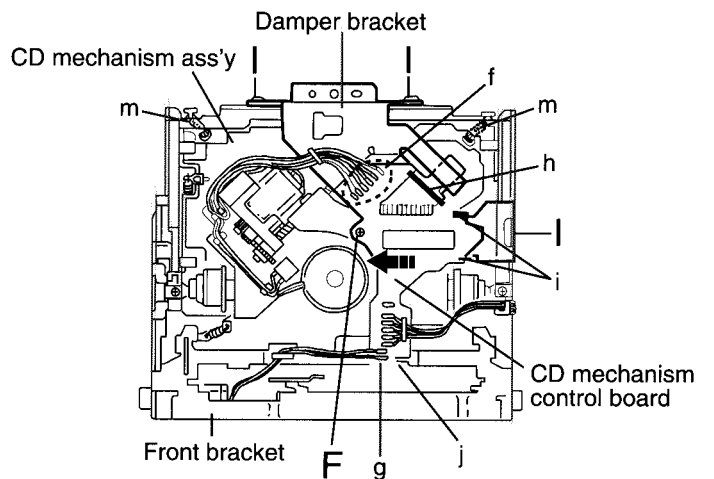


Fig.1

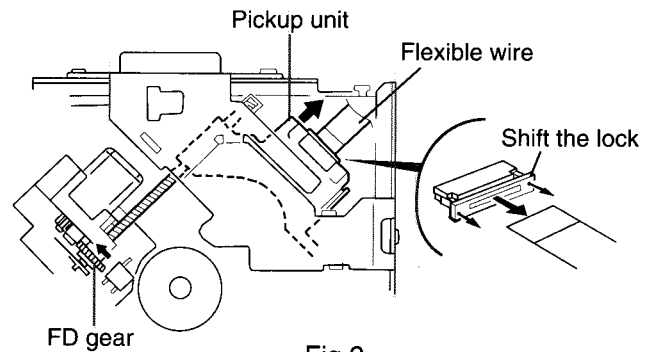


Fig.2

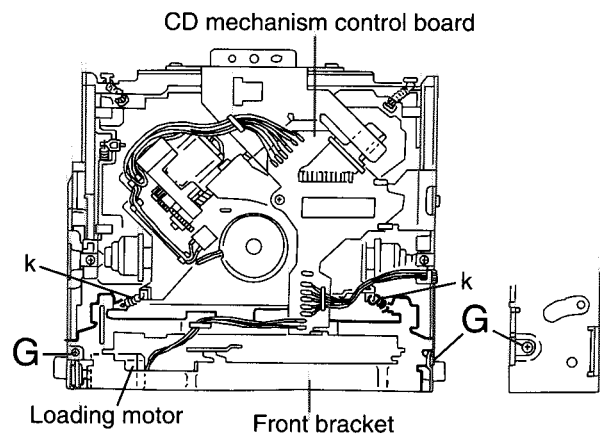


Fig.3

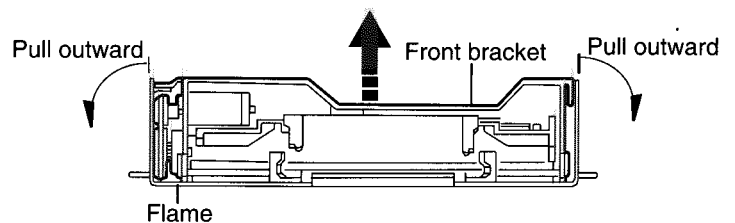


Fig.4

■ Removing the loading motor
(See Fig.3 to 5)

• Prior to performing the following procedure, remove the CD mechanism control board.

1. Remove the two springs k attaching the CD mechanism ass'y and the front bracket.
2. Remove the two screws G and the front bracket while pulling the flame outward.
3. Remove the belt and the screw H from the loading motor.

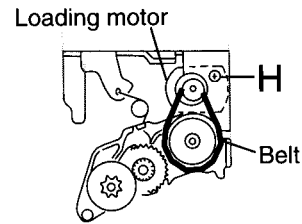


Fig.5

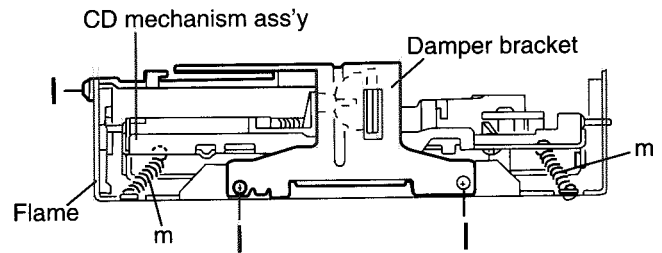


Fig.6

■ Removing the CD mechanism ass'y
(See Fig.1, 6 to 9)

• Prior to performing the following procedure, remove the CD mechanism control PWB and the front bracket (loading motor).

1. Remove the three screws I and the damper bracket.
2. Raise the both sides fix arms and move the fix plates in the direction of the arrow to place the four shafts I as shown in Fig.8 and 9.
3. Remove the CD mechanism ass'y and the two springs m attaching the flame.
4. Remove the two screws J and both sides rear damper brackets from the dampers. Detach the CD mechanism ass'y from the left side to the right side.

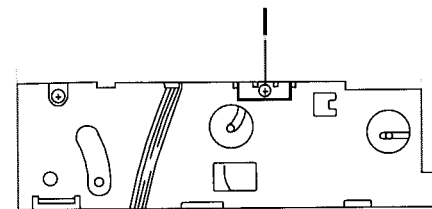


Fig.7

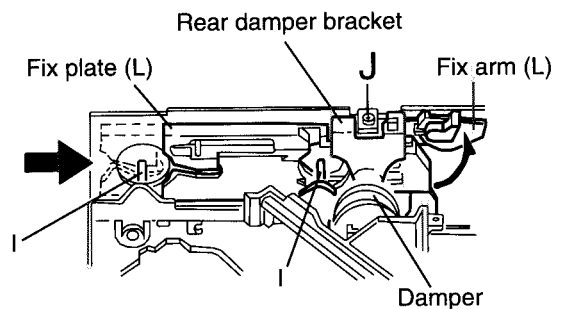


Fig.8

ATTENTION: The CD mechanism ass'y can be removed if only the rear damper bracket on the left side is removed.

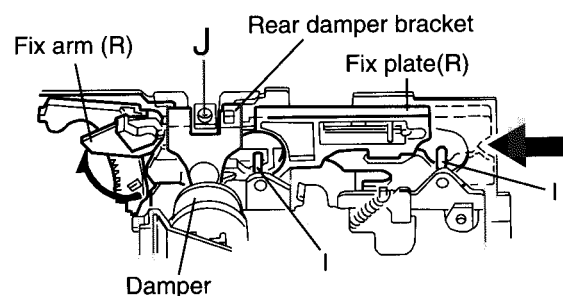


Fig.9

■ Removing the feed motor ass'y
(See Fig.10)

- Prior to performing the following procedure, remove the CD mechanism control board, the front bracket (loading motor) and the CD mechanism ass'y.

1. Remove the two screws K and the feed motor ass'y.

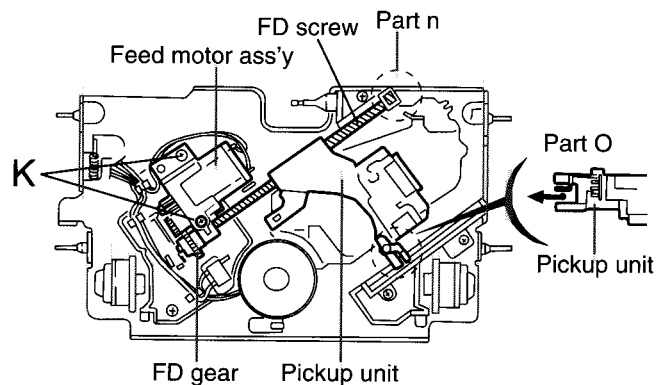


Fig.10

■ Removing the pickup unit
(See Fig.10 and 11)

- *Prior to performing the following procedure, remove the CD mechanism control board, the front bracket (loading motor), the CD mechanism ass'y and the feed motor ass'y.

1. Detach the FD gear part of the pickup unit upward. Then remove the pickup unit while pulling out the part n of the FD screw.

ATTENTION: When reattaching the pickup unit, reattach the part o of the pickup unit, then the part n of the FD screw.

2. Remove the screw L attaching the nut push spring plate and the pickup mount nut from the pickup unit. Pull out the FD screw.

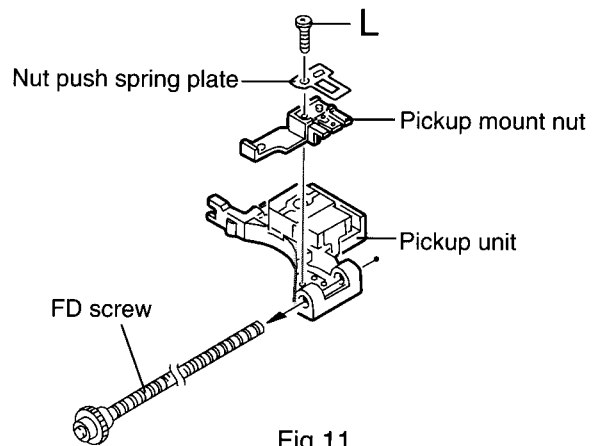


Fig.11

■ Removing the spindle motor
(See Fig.12 and 13)

- Prior to performing the following procedure, remove the CD mechanism control board, the front bracket (loading motor), the CD mechanism ass'y and the feed motor ass'y.

1. Turn up the CD mechanism ass'y and remove the two springs p on both sides of the clamber arms. Open the clamber arm upward.
2. Turn the turn table, and remove the two screws M and the spindle motor.

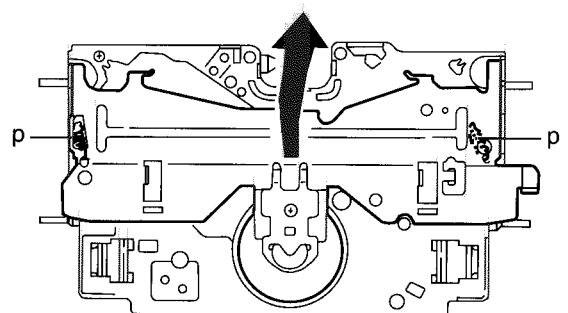


Fig.12

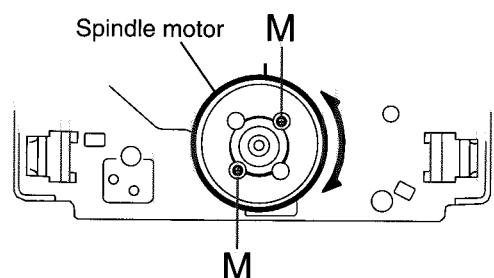


Fig.13

Adjustment method

■ Test instruments required for adjustment

1. Digital oscilloscope (100MHz)
2. AM Standard signal generator
3. FM Standard signal generator
4. Stereo modulator
5. Electric voltmeter
6. Digital tester
7. Tracking offset meter
8. Test Disc JVC :CTS-1000
9. Extension cable for check
EXTGS004-26P × 1

■ Standard volume position

Balance and Bass & Treble volume : Indication "0"

Loudness : OFF

BBE : OFF

Frequency Band

■ FM 87.5MHz ~ 108.0MHz

MW 522kHz ~ 1620 kHz

LW 144kHz ~ 279kHz

■ Dummy load

Exclusive dummy load should be used for AM, and FM. For FM dummy load, there is a loss of 6dB between SSG output and antenna input. The loss of 6dB need not be considered since direct reading of figures are applied in this working standard.

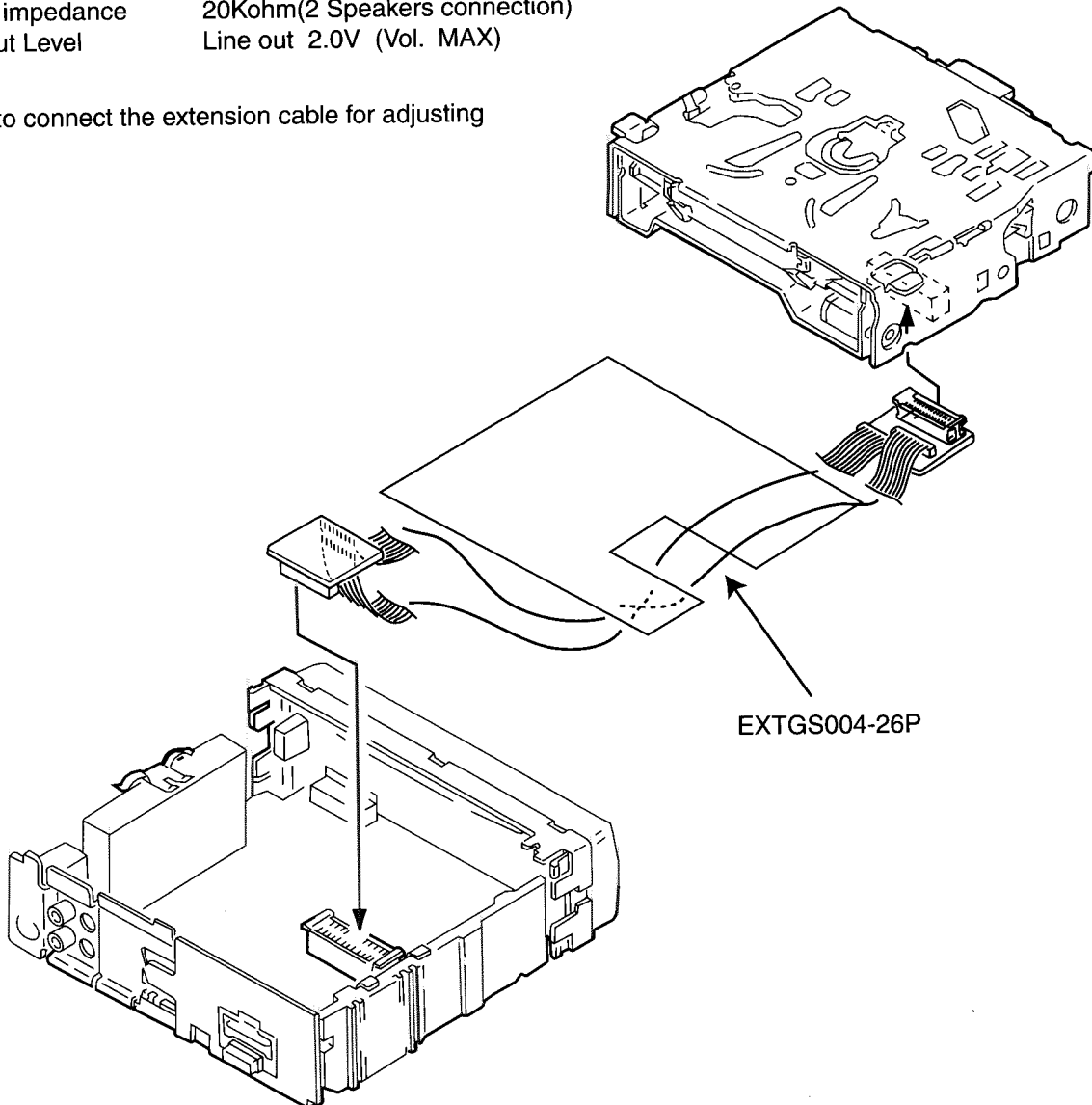
■ Standard measuring conditions

Power supply voltage DC14.4V(10.5~16V)

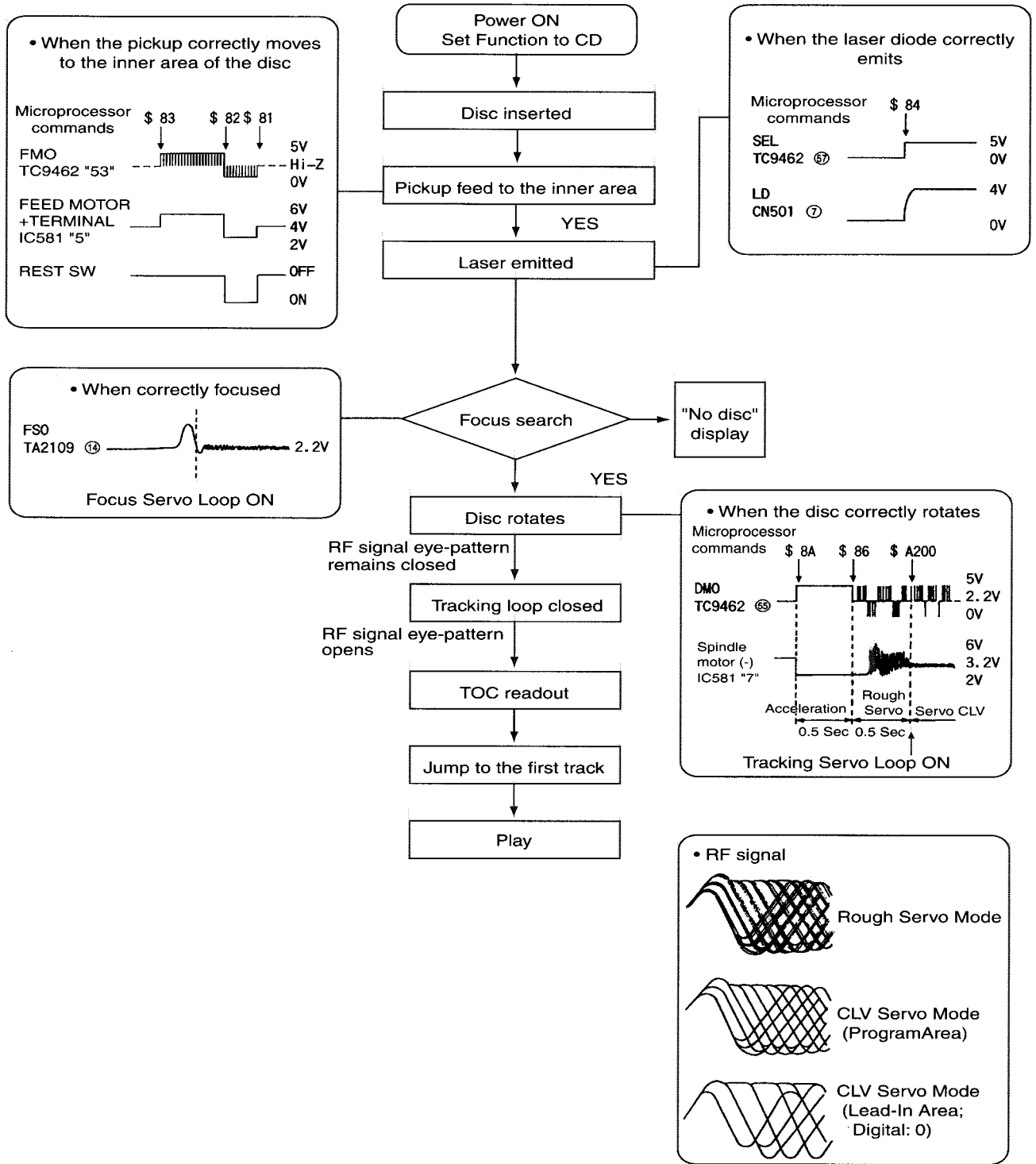
Load impedance 20Kohm(2 Speakers connection)

Output Level Line out 2.0V (Vol. MAX)

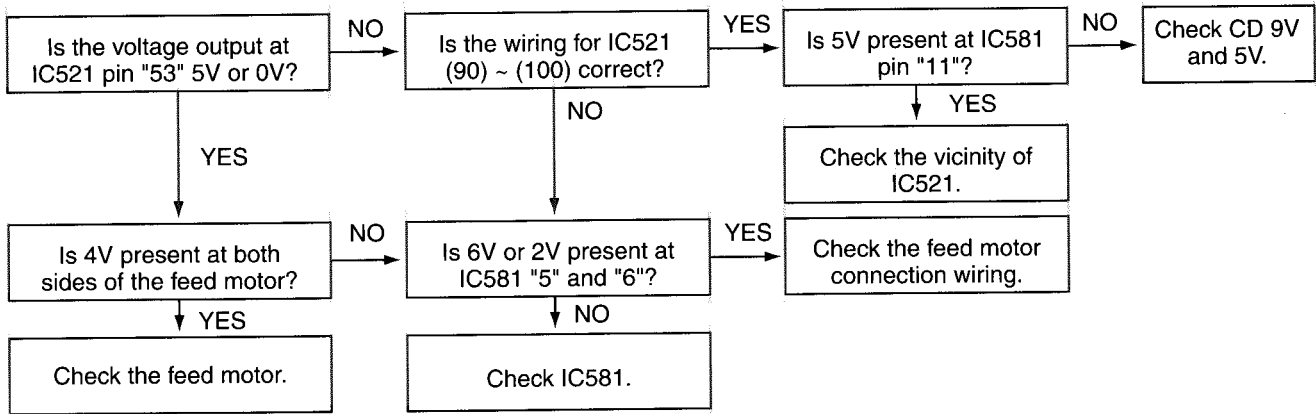
■ How to connect the extension cable for adjusting



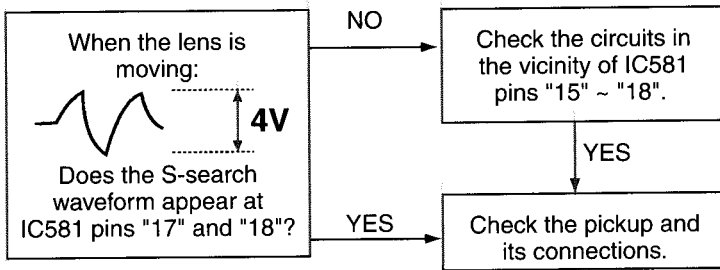
Flow of functional operation until TOC read



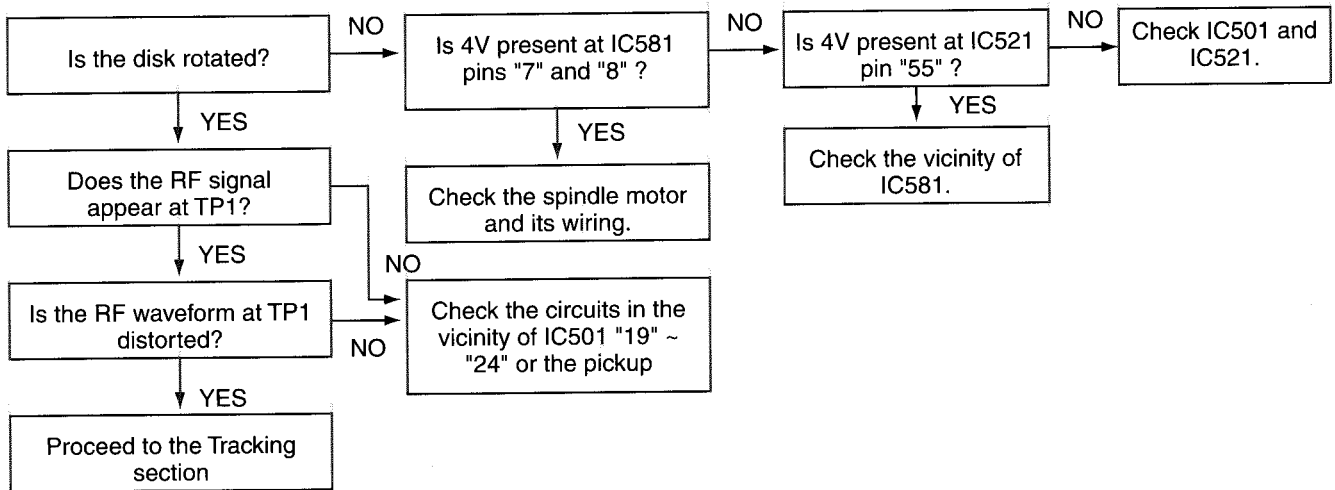
Feed Section



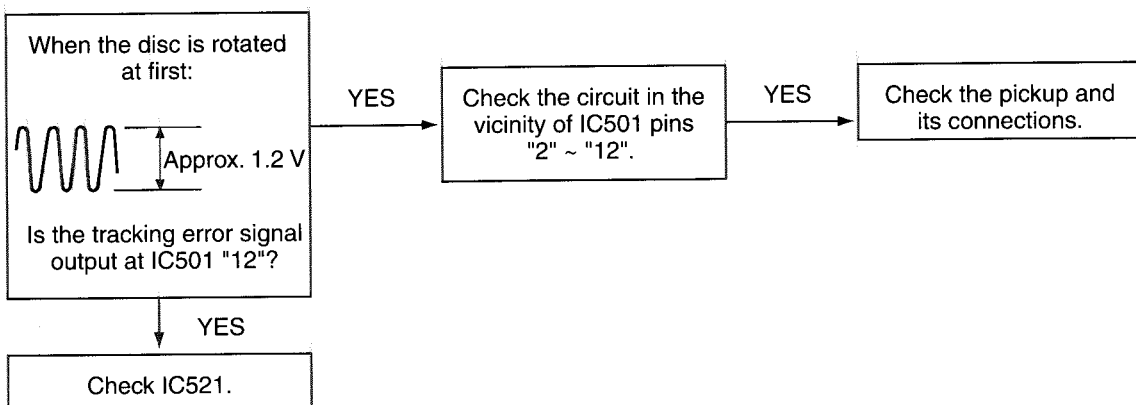
Focus Section



Spindle Section

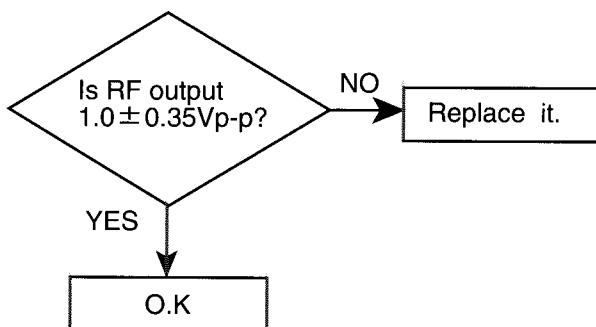


Tracking Section



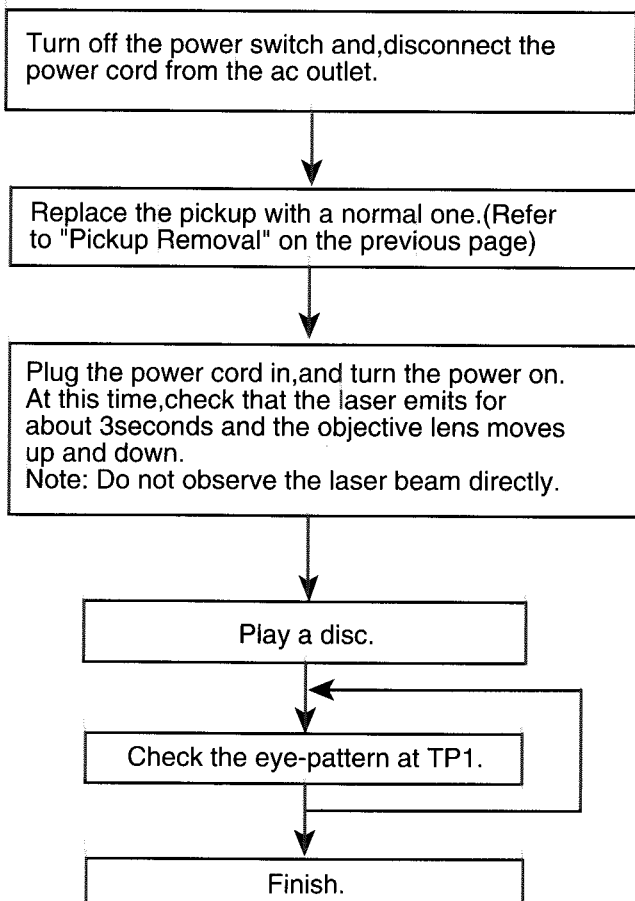
Maintenance of laser pickup

- (1) Cleaning the pick up lens
Before you replace the pick up, please try to clean the lens with a alcohol soaked cotton swab.
- (2) Life of the laser diode
When the life of the laser diode has expired, the following symptoms will appear.
 - (1) The level of RF output (EFM output:amplitude of eye pattern) will be low.



- (3) Semi-fixed resistor on the APC PC board
The semi-fixed resistor on the APC printed circuit board which is attached to the pickup is used to adjust the laser power. Since this adjustment should be performed to match the characteristics of the whole optical block, do not touch the semi-fixed resistor.
If the laser power is lower than the specified value, the laser diode is almost worn out, and the laser pickup should be replaced.
If the semi-fixed resistor is adjusted while the pickup is functioning normally, the laser pickup may be damaged due to excessive current.

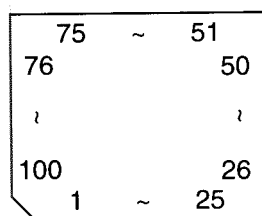
Replacement of laser pickup



Description of major ICs

■ UPD784215GC-157 (IC701) : UNIT CPU

1. Terminal Layout



2. Pin Function (1/2)

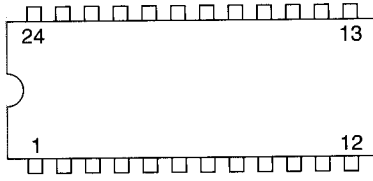
Pin No.	Symbol	I/O	Function
1	SW2	I	Detection switch of CD mechanism
2	SW3	I	Detection switch of CD mechanism
3	SW4	I	Detection switch of CD mechanism
4	REST	I	Reset signal input from CD mechanism
5	LM0	O	Loading motor control signal output
6	LM1	O	Loading motor control signal output
7	NC	-	Non connect
8	LCDPWR	O	LCD driver power supply control output H:ON
9	VDD	-	Power supply terminal
10	X2	-	Connecting the crystal oscillator for system main clock
11	X1	-	Connecting the crystal oscillator for system main clock
12	VSS	-	Power supply terminal
13	XT2	-	Connecting the crystal oscillator for system sub clock
14	XT1	-	Connecting the crystal oscillator for system sub clock
15	RESET	I	System reset signal input
16	SW1	I	Detection switch of CD mechanism
17	BUSINT	I	Cut-in input for J-BUS signal
18	PS2	I	Power save 2, Working together back up by H input, to stop mode
19	CRUISE	I	Pulse signal input port for Cruise control
20	NC	-	Clock signal input for RDS
21	NC	-	RDS data input
22	REMOCON	I	Remote control signal input
23	AVDD	-	Power supply terminal
24	AVREF0	-	Power supply terminal
25	VOL1	I	Input for rotation volume detection pulse judgment to relation V1
26	VOL2	I	Input for rotation volume detection pulse judgment to relation V2
27	KEY0	I	Key control signal input 0
28	KEY1	I	Key control signal input 1
29	KEY2	I	Key control signal input 2
30	LEVEL	I	Signal input port of level meter
31		I	
32		I	
33	AVSS	-	Connect to GND
34	NC	O	Subwoofer volume control analogue output
35	NC	O	Non connect
36	AVREF	-	Power supply terminal

Pin Function (2/2)

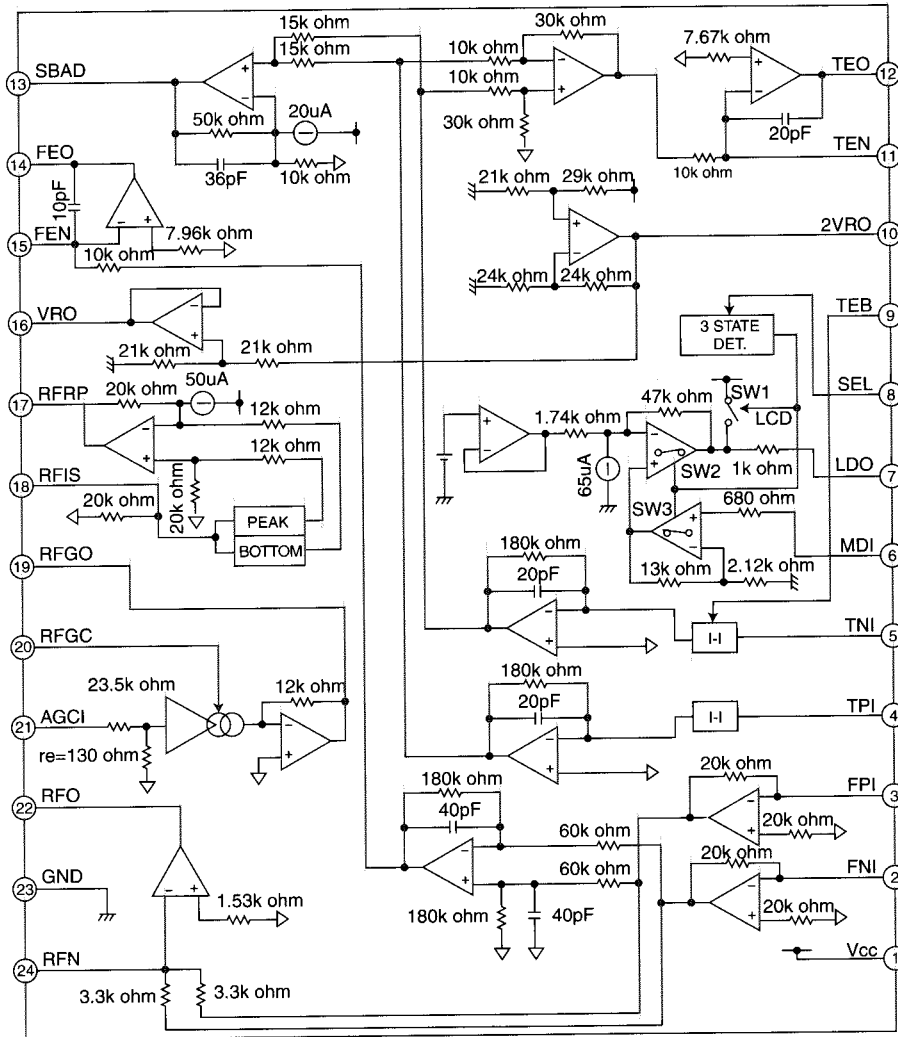
Pin No.	Symbol	I/O	Function
37	BUSSI	I	J-BUS data input
38	BUSSO	O	J-BUS data output
39	BUSSCK	I/O	J-BUS Clock signal I/O
40	BUSI/O	O	I/O selector output for J-BUS, H:OUT L:IN
41	LCDDA	O	Data output to LCD driver
42	LCDSCK	O	Clock output to LCD driver
43	LCDCE	O	Chip enable output to LCD driver
44	BUZZER	O	BUZZER control signal output
45	NC	I	Non connect
46	NC	O	Non connect
47	NC	O	Non connect
48	OPEN	I	Detect for front face open and shut input, H:OPEN L:SHUT
49~52	NC	O	Non connect
53	SD/ST	I	Station detector, Stereo signal input, H:Find Station L:Stereo
54	NC	O	Non connect
55	MONO	O	Monaural ON/OFF selecting output, H:MONO ON
56~60	NC	I	Non connect
61	DETACH	I	Input for detach signal, To action mode of L ,
62	AFCK	O	Non connect
63	SEEK/STOP	O	Auto seek/stop selecting output, H:Seek L:Stop
64	INLOCK	-	Non connect
65	FM/AM	O	Selecting output for FM/AM, L:FM H:AM
66	PLLCE	O	CE output for IC control for PLL
67	PLLDO	O	Data output for IC control for PLL
68	PLLCLK	O	Clock output for IC control for PLL
69	PLLDI	I	Data input from IC21
70	NC	O	Non connect
71	NC	O	Non connect
72	VSS		Connect to GND
73	DIMIN	I	DIMMER signal input port
74	PS1	I	Power supply terminal
75	POWER	O	Selecting output for power ON/OFF, H:power ON
76	CDON	O	Power supply control signal for CD H:CD
77	MUTE	O	MUTE output, L:MUTE ON
78	NC	O	Subwoofer cut off frequency output 1
79	NC	O	Subwoofer cut off frequency output 2
80	NC	O	MUTE output for Subwoofer
81	VDD		Power supply terminal
82	NC	O	Non connect
83	VOLDA	O	Data output for IC control for electronic volume
84	VOLCLK	O	Clock output for IC control for electronic volume
85	DIMMER	O	Dimmer signal output
86~89	NC	O	Non connect
90		I	
91	BUCK	O	Micon interface clock output terminal
92	CCE	O	Command and data sending/receiving chip enable signal output
93	RST	O	Reset signal output terminal reset at "L" level
94	TEST	-	Connect to GND
95~98	BUS0~3	I/O	Micon interface data input/output terminal
99	NC	O	Non connect
100	J/E	I	Pull down

■ TA2109F-X (IC501) : RF amp.

1. Pin layout



2. Block diagram

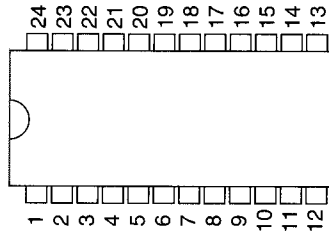


3. Pin function

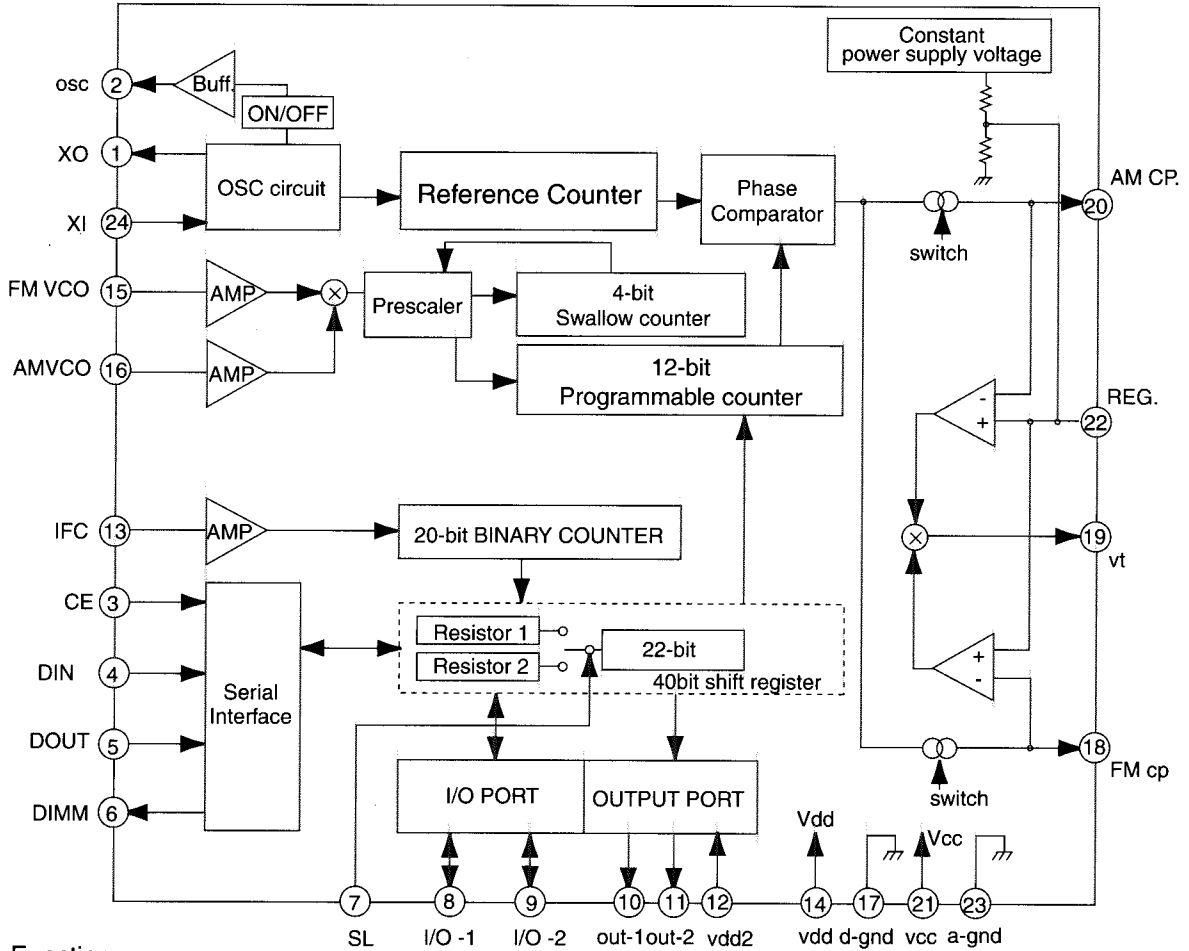
Pin No.	Symbol	I/O	Pin function	Pin No.	Symbol	I/O	Pin function
1	Vcc	-	Power supply input terminal	13	SBAD	O	Sub beam adder signal output terminal
2	FNI	I	Main beam I-V amp input terminal	14	FEO	O	Focus error signal output terminal
3	FPI	I	Main beam I-V amp input terminal	15	FEN	I	FE amp negative input terminal
4	TPI	I	Sub beam I-v input terminal	16	VRO	O	Reference voltage (VREF) output terminal
5	TNI	I	Sub beam I-V input terminal	17	RFRP	O	Track count signal output terminal
6	MDI	I	Monitor photo diode amp input terminal	18	RFIS	I	RFRP detect circuit input terminal
7	LDO	O	Laser diode amp output terminal	19	RFGO	O	RF gain signal output terminal
8	SEL	I	Laser diode control signal input terminal	20	RFGC	I	RF amplitude adj. control signal input terminal
9	TEB	I	T. error balance adj. signal input terminal	21	AGCI	I	RF signal amplitude adj. amp input terminal
10	2VRO	O	Reference voltage output terminal	22	RFO	O	RF signal output terminal
11	TEN	I	TE amp negative input terminal	23	GND	-	Ground terminal
12	TEO	O	TE error signal output terminal	24	RFN	I	RF amp negative input terminal

■ TB2118F-X (IC21) : PLL

1. Terminal Layout



2. Block diagram

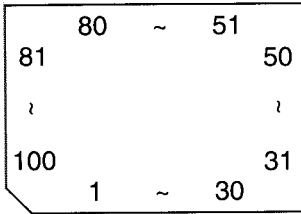


3. Pin Function

Pin No.	Symbol	I/O	Function	Pin No.	Symbol	I/O	Function
1	XOUT	O	Crystal oscillator pin	13	IFC	I	IF signal input
2	OSC	-	Non connect	14	VDD	-	Power pins for digital block
3	CE	I	Chip enable input	15	FMIN	I	FM band local signal input
4	DI	I	Serial data input	16	AMIN	I	AM band local signal input
5	CK	I	Clock input	17	DGND	-	Connect to GND (for digital circuit)
6	DOUT	O	Serial data output	18	FMCP	O	Charge pump output for FM
7	SR	O	Register control pin	19	VT	-	Tuning voltage biased to 2.5V.
8	I/O1	I/O	I/O ports	20	AMCP	O	Charge pump output for AM
9	I/O2	I/O	I/O ports	21	VCC	-	Power pins for analog block
10	OUT1	-	Non connect	22	RF	I	Ripple filter connecting pin
11	OUT2	-	Non connect	23	AGND	-	Connect to GND (for analog circuit)
12	VDD2	-	Single power supply for REF. frequency block	24	XIN	I	Crystal oscillator pin

■ TC9462F (IC521) : DSP & DAC

1.Pin Layout



2.Pin Function (1/2)

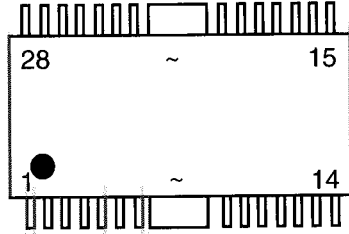
Pin No.	Symbol	I/O	Function
1	TEST0	I	Test mode terminal. Normally, keep at open
2	HSO	O	Playback speed mode flag output terminal
3	UHSO	O	Playback speed mode flag output terminal
4	EMPH	O	Sub code Q data emphasis flag output terminal. "H"=ON "L"=OFF
5	LRCK	O	Channel clock output terminal.(44.1kHz) "H"=Rch "L"=Lch
6	Vss	-	Digital GND terminal
7	BCK	O	Bit clock output terminal. (1.4122MHz)
8	AOUT	O	Audio data output terminal
9	DOUT	O	Digital data output terminal
10	MBOV	O	Buffer memory over signal output terminal.
11	IPF	O	Correction flag output terminal
12	SBOK	O	Sub code Q data CRCC check adjusting result output terminal. "H"=result OK
13	CLCK	I/O	Sub code P~W data readout input/output terminal
14	Vdd	-	Digital power supply voltage terminal
15	Vss	-	Digital GND terminal
16	DATA	O	Sub code P~W data output terminal
17	SFSY	O	Play-back frame sync signal output terminal
18	SBSY	O	Sub code block sync signal output terminal
19	SPCK	O	Processor status signal readout clock output terminal
20	SPDA	O	Processor status signal output terminal
21	COFS	O	Correction frame clock output terminal (7.35kHz)
22	MONIT	O	Internal signal (DSP internal flag and PLL clock) output terminal
23	Vdd	-	Digital power supply voltage terminal
24	TESIO0	I	Test input/output terminal. Normally, keep at "L" level
25	P2VREF	-	PLL double reference voltage supply terminal
26	HSSW	O	2/4 times speed at "Vref" voltage
27	ZDET	O	1bit DA converter zero detect flag output terminal
28	PDO	O	Phase difference signal output terminal of EFM signal and PLCK signal
29	TMAXS	O	TMAX detection result output terminal. Selected by command bit (TMPS)
30	TMAX	O	TMAX detection result output terminal. Selected by command bit (TMPS)
31	LPFN	I	LPF amplifier inverting input terminal for PLL
32	LPFO	O	LPF amplifier output terminal for PLL
33	PVREF	-	PLL reference voltage supply terminal
34	VCOREF	I	VCO center frequency reference level terminal
35	VCOF	O	VCO filter terminal
36	AVss	-	Analog GND terminal
37	SLCO	O	Data slice level output terminal
38	RFI	I	RF signal input terminal
39	AVDD	-	Analog power supply voltage terminal

2.Pin Function (2/2)

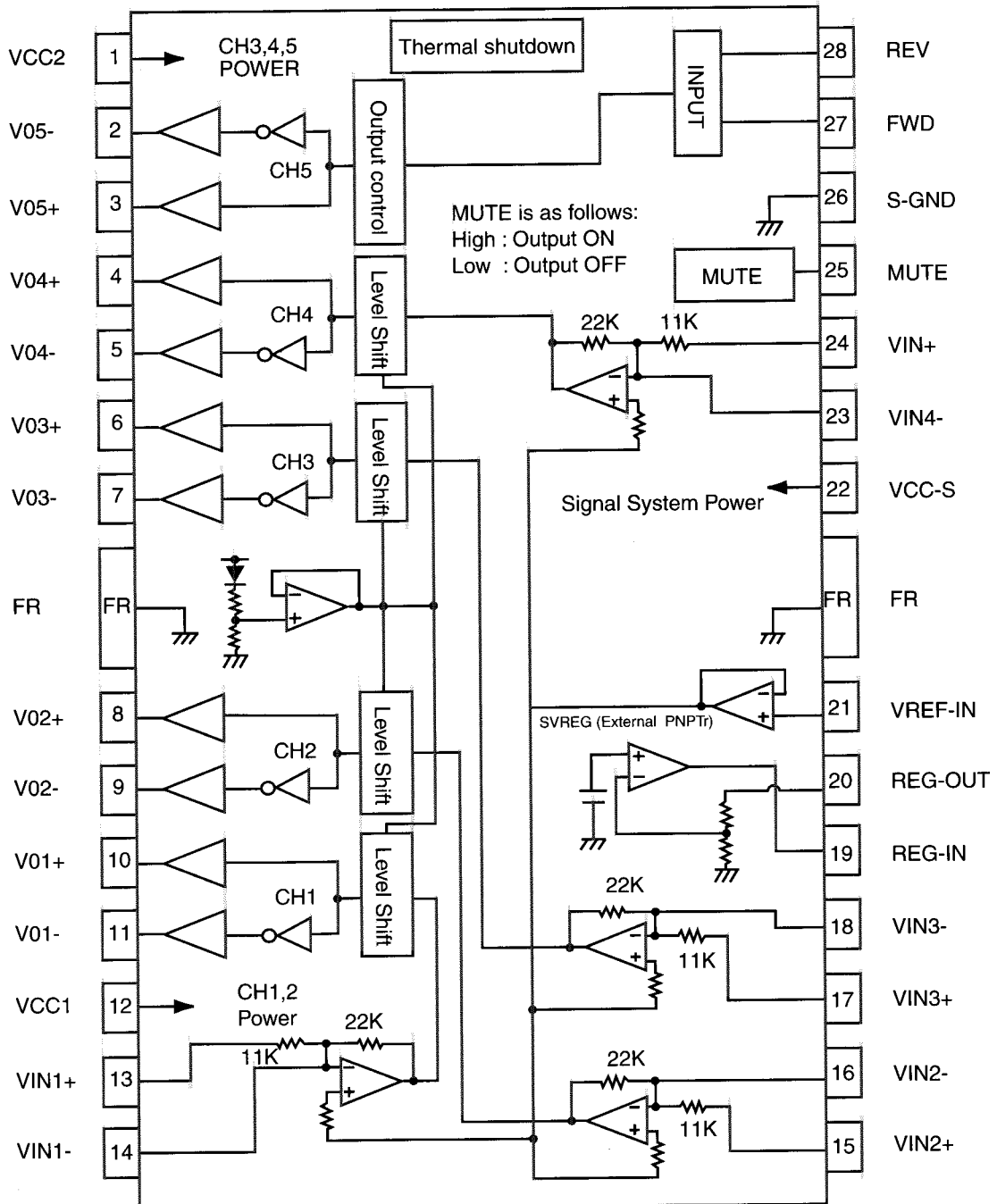
Pin No.	Symbol	I/O	Function
40	RFCT	I	RFRP signal center level input terminal
41	RFZI	I	RFRP zero cross input terminal
42	RFRP	I	RF ripple signal input terminal
43	FEI	I	Focus error signal input terminal
44	SBAD	I	Sub-beam adder signal input terminal
45	TSIN	I	Test input terminal Normally, keep at "vref" level
46	TEI	I	Tracking error signal input terminal. Take in at tracking servo ON.
47	TEZI	I	Tracking error zero cross input terminal
48	FOO	O	Focus servo equalizer output terminal
49	TRO	O	Tracking servo equalizer output terminal
50	VREF	-	Analog reference voltage supply terminal
51	RFGC	O	RF amplitude adjustment control signal output terminal
52	TEBC	O	Tracking balance control signal output terminal
53	FMO	O	Feed equalizer output terminal
54	FVO	O	Speed error signal or feed search equalizer output terminal
55	DMO	O	Disk equalizer output terminal (PWM carrier=88.2kHz for DSP, Synchronize to PXO)
56	2VREF	-	Analog double reference voltage supply terminal
57	SEL	O	APC circuit ON/OFF indication signal output terminal
58~61	FLGA~D	O	External flag output terminal for internal signal
62	VDD	-	Digital power supply voltage terminal
63	VSS	-	Digital GND terminal
64~67	IO0~3	I/O	General I/O terminal
68	DMOUT	I	This terminal control IO0~IO3 terminal
69	CKSE	I	Normally, keep at open
70	DACT	I	DAC test mode terminal. Normally, keep at open
71	TESIN	I	Test input terminal, Normally, keep at "L" level
72	TESIO1	I	Test input/output terminal. Normally, keep at "L" level
73	VSS	-	Digital GND terminal
74	PXI	I	Crystal oscillator connecting input terminal for DSP
75	PXO	O	Crystal oscillator connecting output terminal for DSP
76	VDD	-	Digital power supply voltage terminal
77	XVSS	-	Oscillator GND terminal for system clock
78	XI	I	Crystal oscillator connecting input terminal for system clock
79	XO	O	Crystal oscillator connecting output terminal for system clock
80	XVDD	-	Oscillator power supply voltage terminal for system clock
81	DVSR	-	Analog GND terminal for DA converter (Rch)
82	RO	O	R channel data forward output terminal
83	DVDD	-	Analog supply voltage terminal for DA converter
84	DVR	-	Reference voltage terminal for DA converter
85	LO	O	L channel data forward output terminal
86	DVSL	-	Analog GND terminal for DA converter (Lch)
87~89	TEST1~3	I	Test mode terminal . Normal keep at open
90~93	BUS0~3	I/O	Micon interface data input/output terminal
94	VDD	-	Digital power supply voltage terminal
95	VSS	-	Digital GND terminal
96	BUCK	I	Micon interface clock input terminal
97	CCE	I	Command and data sending/receiving chip enable signal input terminal
98	TEST4	I	Test mode terminal. Normal, keep at open
99	TSMOD	I	Local test mode selection terminal
100	RST	I	Reset signal input terminal. Reset at "L" level

■ LA6557-X(IC581):Driver

1. Terminal layout



2. Block diagram



3.Pin function

LA6557-X(2/2)

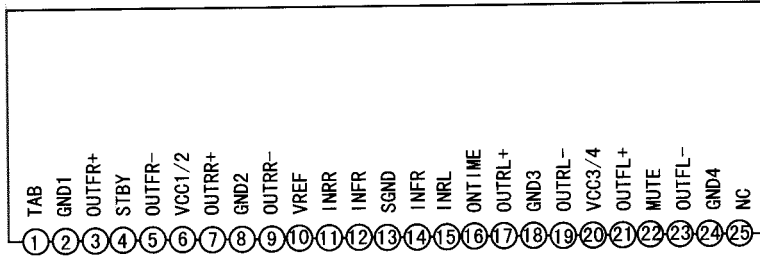
Pin NO.	Symbol	Function
1	VCC2	Power for channels 3,4, and 5 (VCC1 and VCC-S short-circuited)
2	V05-	Loading output (-)
3	V05+	Loading output (+)
4	V04+	Output pin (+) for channel 4
5	V04-	Output pin (-) for channel 4
6	V03+	Output pin (+) for channel 3
7	V03-	Output pin (-) for channel 3
8	V02+	Output pin (+) for channel 2
9	V02-	Output pin (-) for channel 2
10	V01+	Output pin (+) for channel 1
11	V01-	Output pin(-) for channel 1
12	VCC1	Power for channels 1 and 2 (BTL), (VCC-S and VCC2 short-circuited)
13	VIN1+	Input pin for channel 1
14	VIN1-	Input pin for channel 1 (for gain control)
15	VIN2+	Input pin for channel 2
16	VIN2-	Input pin for channel 2 (for gain control)
17	VIN3+	Input pin for channel 3
18	VIN3-	Input pin for channel 3 (for gain control)
19	REG-IN	Regulator pin (External PNP base)
20	REG-OUT	Regulator pin (External PNP collector)
21	VREF-IN	Reference voltage input pin
22	VCC-S	Signal system power (VCC and VCC2 short-circuited)
23	VIN4-	Input pin for channel 4 (for gain control)
24	VIN4+	Input pin for channel 4
25	MUTE	Output ON/OFF, channels 1 to 4 (BTL AMP)
26	S-GND	Signal system GND
27	FWD	5CH(VL0) Output change pin (FWD), Logic input for loading block
28	REV	5CH(VL0) Output change pin (REV), Logic input for loading block

* The center frame (FR) functions as power system GND. Set this to the minimum potential together with S-GND.

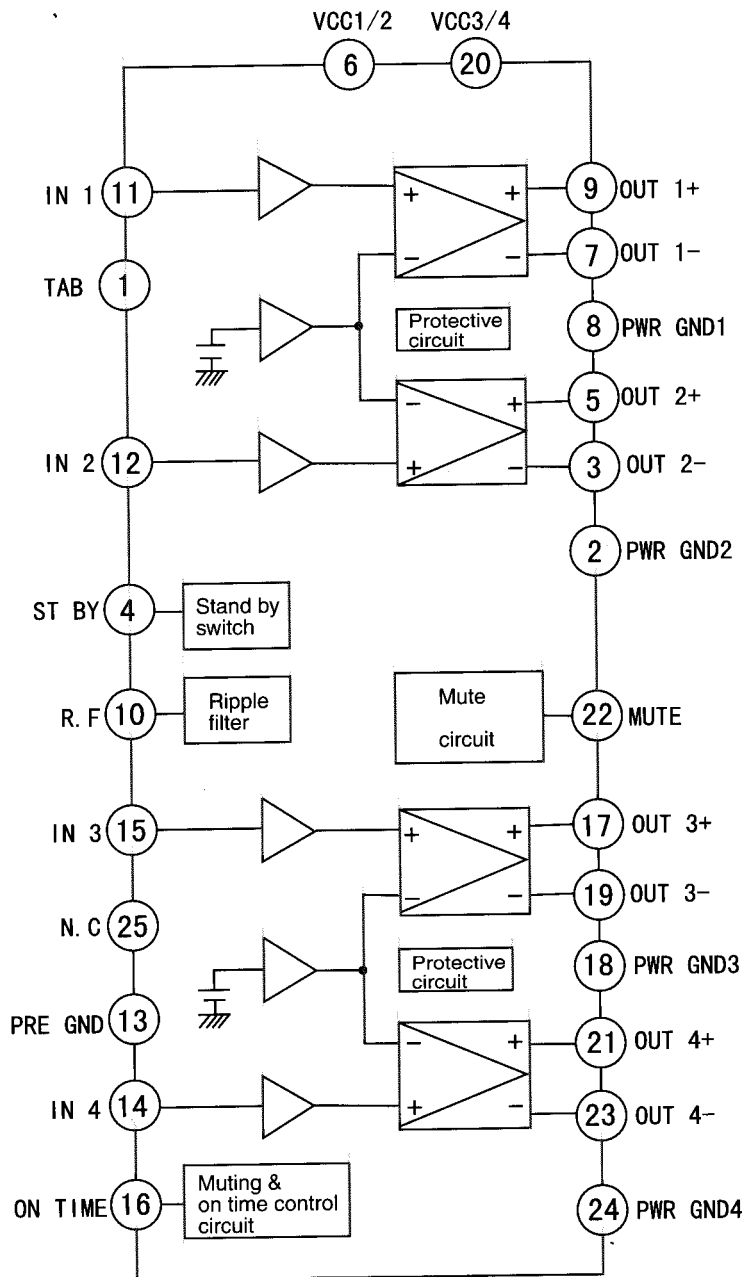
* Short-circuit three pins of power system, VCC-S, VCC1, and VCC2, externally before use.

■ LA4743B (IC351) :Power amp

1. Terminal layout

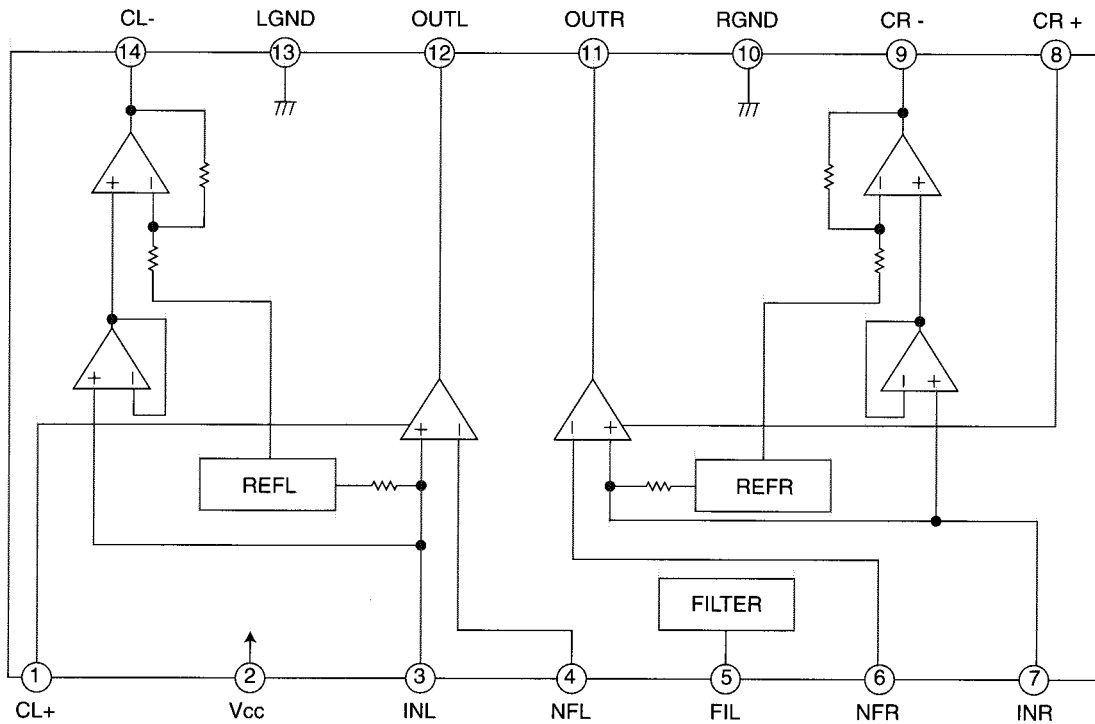


2. Block diagram



■ BA3220FV-X (IC301,IC401) : Driver

1. Pin layout & Block diagram

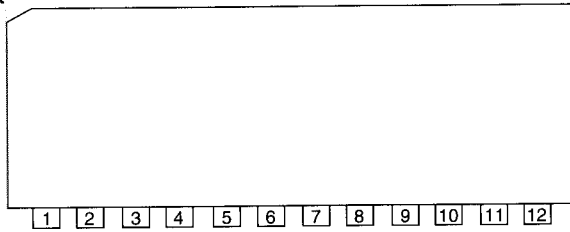


2. Pin functions

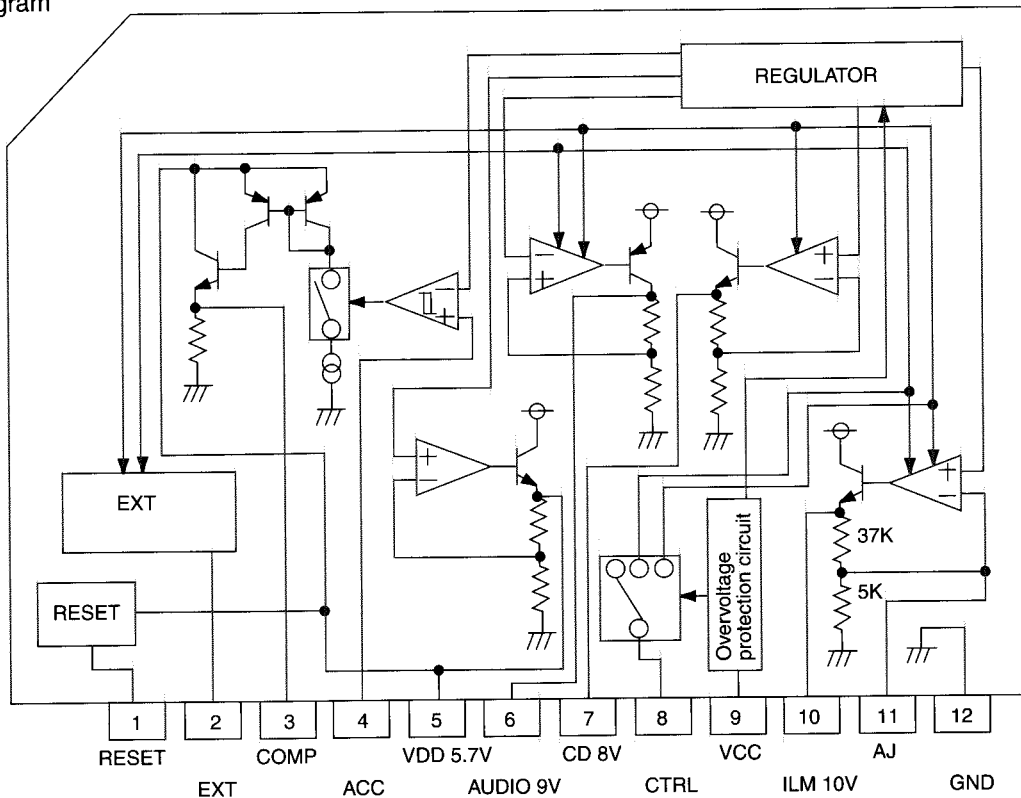
Pin No.	Symbol	Function
1	CL+	Powe supply terminal for amp.
2	Vcc	power supply terminal.
3	INL	input terminal.
4	NFL	Negative feedback terminal.
5	FIL	Filter terminal.
6	NFR	Negative feedback terminal.
7	INR	Input terminal
8	CR+	Power supply terminal for amp.
9	CR-	Output terminal of internal amp.
10	RGND	Rch GND terminal.
11	OUTR	Rch output terminal.
12	OUTL	Lch output terminal.
13	LGND	Lch GND terminal.
14	CL-	Output terminal of internal amp.

■ BA4905-V3 (IC961) : Regulator

1. Terminal layout



2. Block diagram

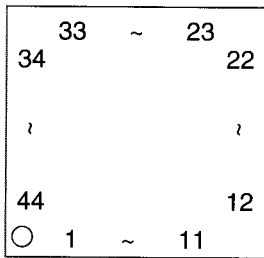


3. Pin function

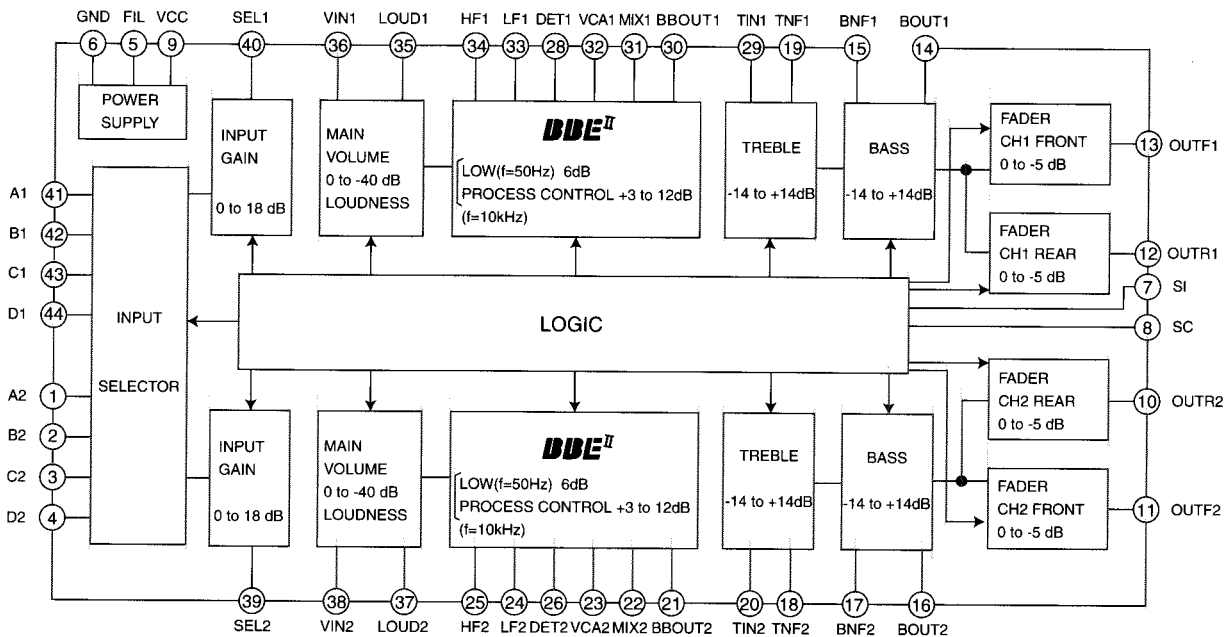
Pin no.	Symbol	Function
1	RESET	If VDD voltage becomes 4V or less. RESET output becomes low level.
2	EXT output	This output voltage is approximately 0.5V lower than VCC. and max output current is 300mA.
3	COMP output	A voltage supply for ACC block. This output voltage is approximately 0.7V lower than VDD'S. The max output current is 100mA.
4	ACC	Control of the COMP output by inputting voltage.
5	VDD output	This output voltage is 5.7V, and max output current is 100mA. This voltage supply is for microcomputer. Whenever back up voltage supply is connected, the output keeps on running.
6	AUDIO output	This output voltage is 9.0v, and max output current is 500mA. This voltage supply for AUDIO.
7	CD output	This output voltage is 8.0V, and max output current is 1A. This voltage supply for CD.
8	CTRL	Output selector of CD. AUDIO, ILM and EXT.
9	VCC	To be connected with the BACK UP of car.
10	ILM output	This output voltage is 10V, and max output current is 500mA. Output voltage is adjustable.
11	AJ	Putting a resistance between ILM and AJ or between AJ and GND makes ILM output voltage adjustable.
12	GND	Ground.

■ **BD3860K (IC911) : E. volume**

1. Pin layout



2. Block diagram

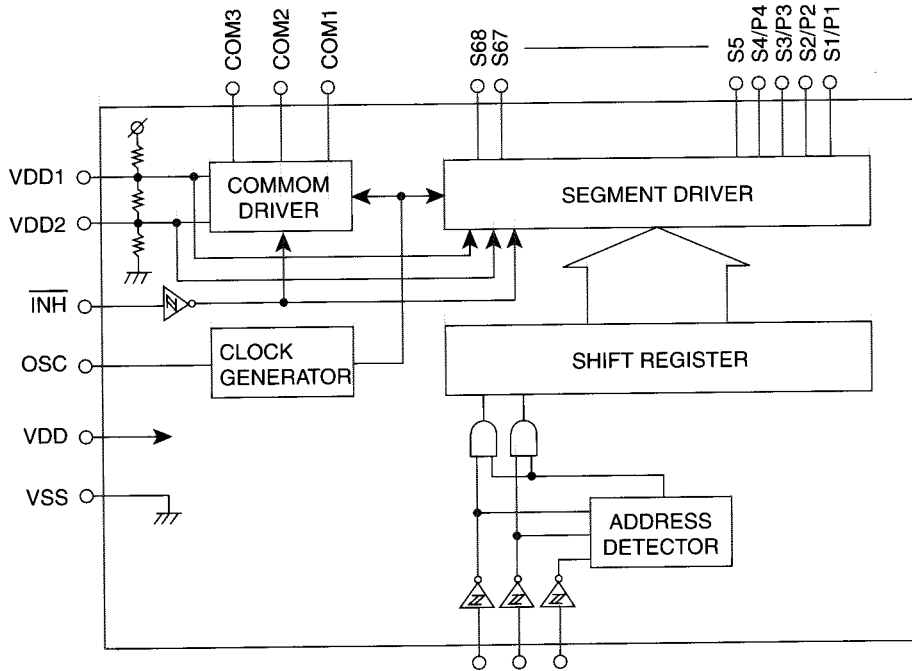


3. Pin function

Pin No.	Symbol	Function	Pin No.	Symbol	Function
1	A2	CH2 input terminal A	23	VCA2	CH2 high frequency VCA output terminal
2	B2	CH2 input terminal B	24	LF2	CH2 low frequency filter setting terminal
3	C2	CH2 input terminal C	25	HF2	CH2 high frequency filter setting terminal
4	D2	CH2 input terminal D	26	DET2	CH2 high frequency attack release time setting
5	FIL	1/2 VCC terminal	27	NC	Non connect
6	GND	Ground terminal	28	DET1	CH1 high frequency attack release time setting
7	SI	Serial data input terminal	29	TIN1	CH1 treble input terminal
8	SC	Serial clock input terminal	30	BBOUT1	CH1 BBE II signal output terminal
9	VCC	Power supply	31	MIX1	CH1 output mix amp. negative input terminal
10	OUTR2	CH2 rear output terminal	32	VCA1	CH1 high frequency VCA output terminal
11	OUTF2	CH2 front output terminal	33	LF1	CH1 low frequency filter setting terminal
12	OUTR1	CH1 rear output terminal	34	HF1	CH1 high frequency filter setting terminal
13	OUTF1	CH1 front output terminal	35	LOUD1	CH1 loudness filter setting terminal
14	BOUT1	CH1 bus filter setting terminal	36	VIN1	CH1 main volume input terminal
15	BNF1	CH1 bus filter setting terminal	37	LOUD2	CH2 loudness filter setting terminal
16	BOUT2	CH2 bus filter setting terminal	38	VIN2	CH2 main volume input terminal
17	BNF2	CH2 bus filter setting terminal	39	SEL2	CH2 input gain output terminal
18	TNF2	CH2 treble filter setting terminal	40	SEL1	CH1 input gain output terminal
19	TNF1	CH1 treble setting terminal	41	A1	CH1 input terminal A
20	TIN2	CH2 treble input terminal	42	B1	CH1 input terminal B
21	BBOUT2	CH2 BBE II signal output terminal	43	C1	CH1 input terminal C
22	MIX2	CH2 output mix amp negative input terminal	44	D1	CH1 input terminal D

■ LC75873NW (IC601) : LCD Driver

1. Block Diagram

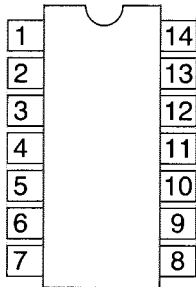


2. Pin Functions

Pin No.	Symbol	I/O	Description
1~66	S3~S68	O	Segment Output.
67~69	COM1~3	O	Common Driver Output.
70	VDD	-	Power Supply Connection.
71	VDD1	I	Used for applying the LCD drive 2/3 bias voltage externally. Must be connected to VDD2 when a 1/2 bias drive scheme in used.
72	VDD2	I	Used for applying the LCD drive 1/3 bias voltage externally. Must be connected to VDD1 when a 1/2 bias drive scheme in used.
73	VSS	-	Power supply connection.
74	OSC	I/O	Oscillator connection. An oscillator circuit is formed by connecting an external resistor and capacitor to this pin.
75	INH	I	Display off control input.
76	$\overline{\text{CE}}$	I	Chip enable input.
77	CLOCK	I	Synchronization clock input.
78	DI	I	Serial data input.
79	S1	O	Signal output.
80	S2	O	Signal output.

■ HD74HC126FP-X (IC771) : Buffer

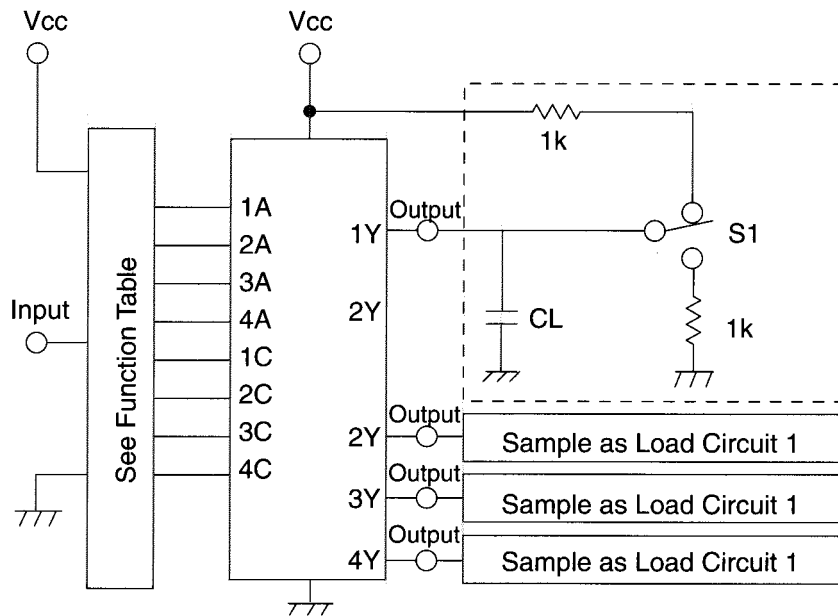
1. Pin layout



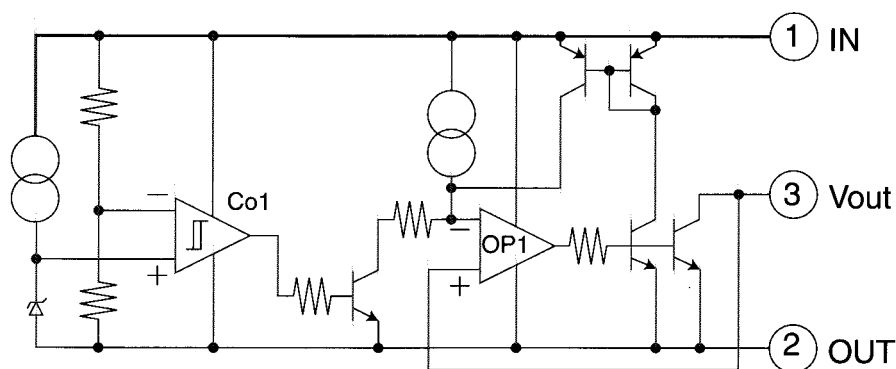
2. Function

Inputs		Outputs
C	A	Y
L	X	Z
H	L	H
H	H	L

3. Block diagram

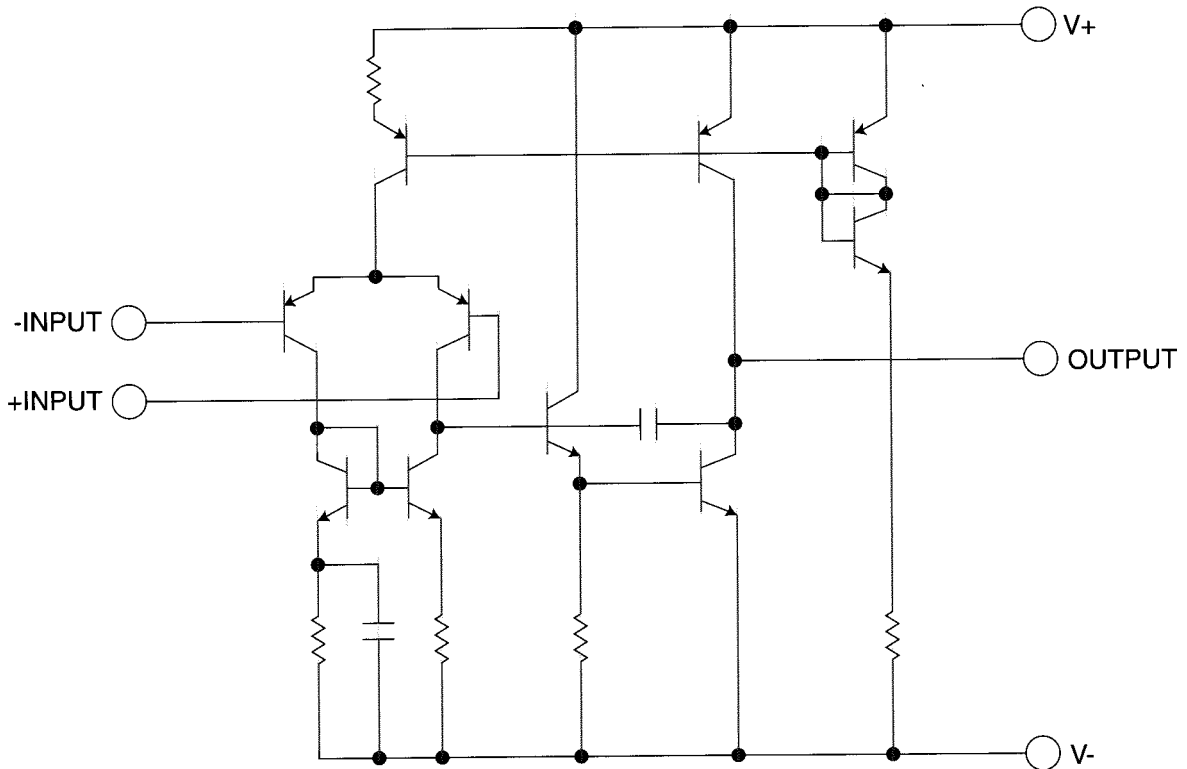
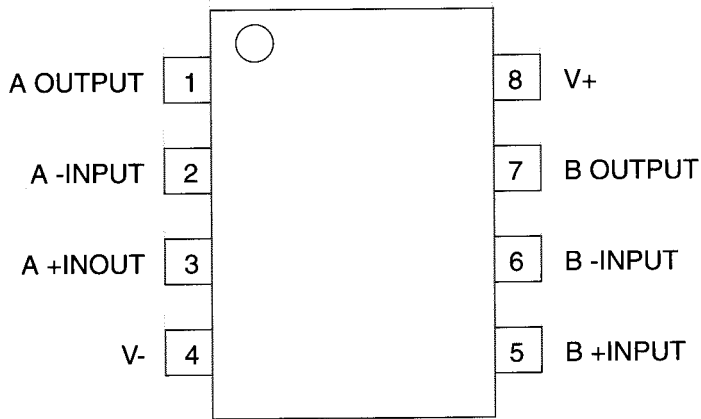


■ IC-PST600M/G/-W (IC702) : System reset



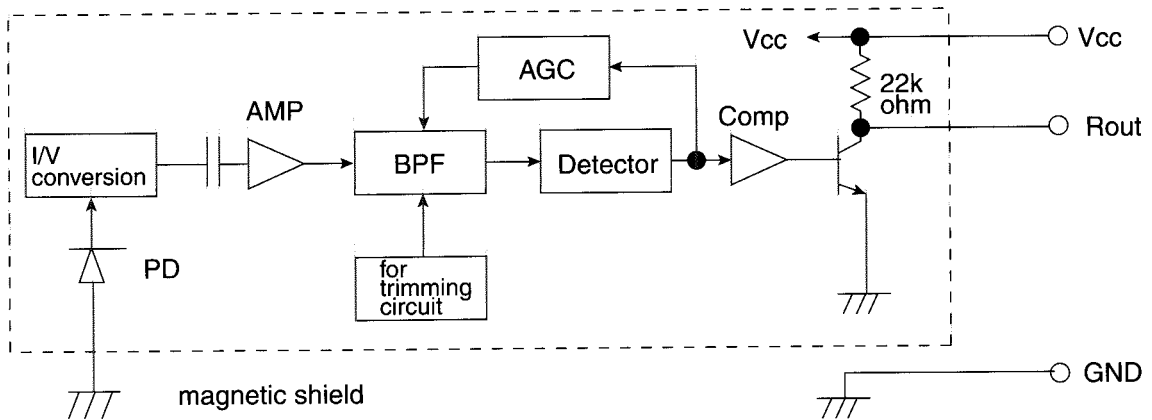
■ NJM2100M-WE (IC821) : Cruise

1. Pin layout



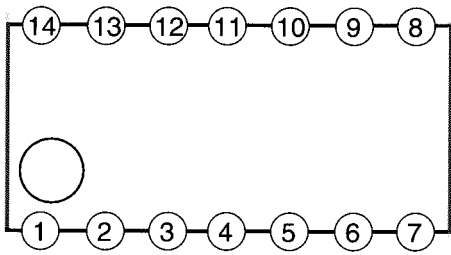
■ RPM6938-SV4 (IC602) : Remote control receiver

2. Block diagram

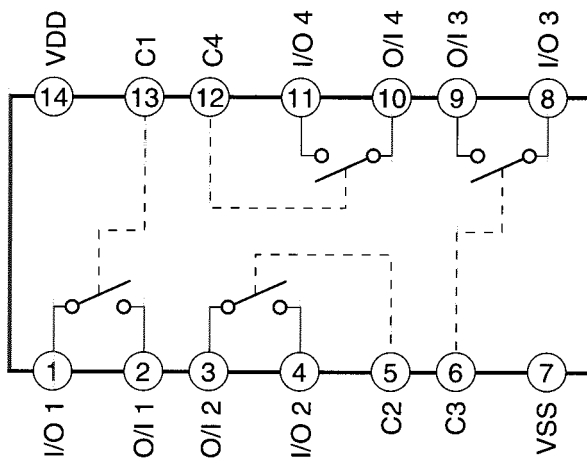


■ BU4066BCF-X (IC153) : Switch

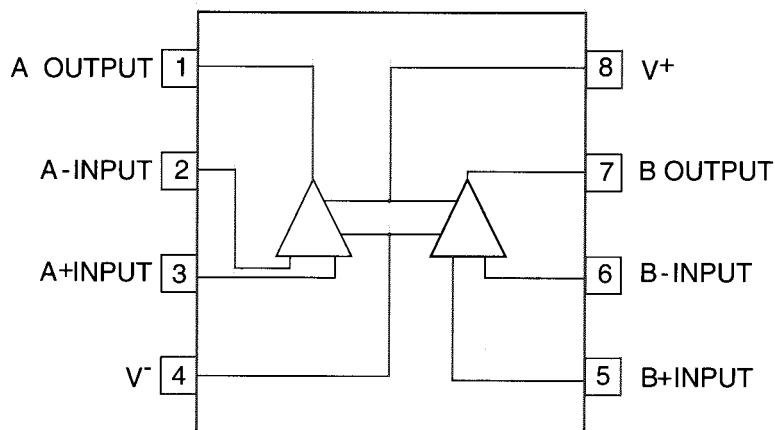
1. Terminal Layout



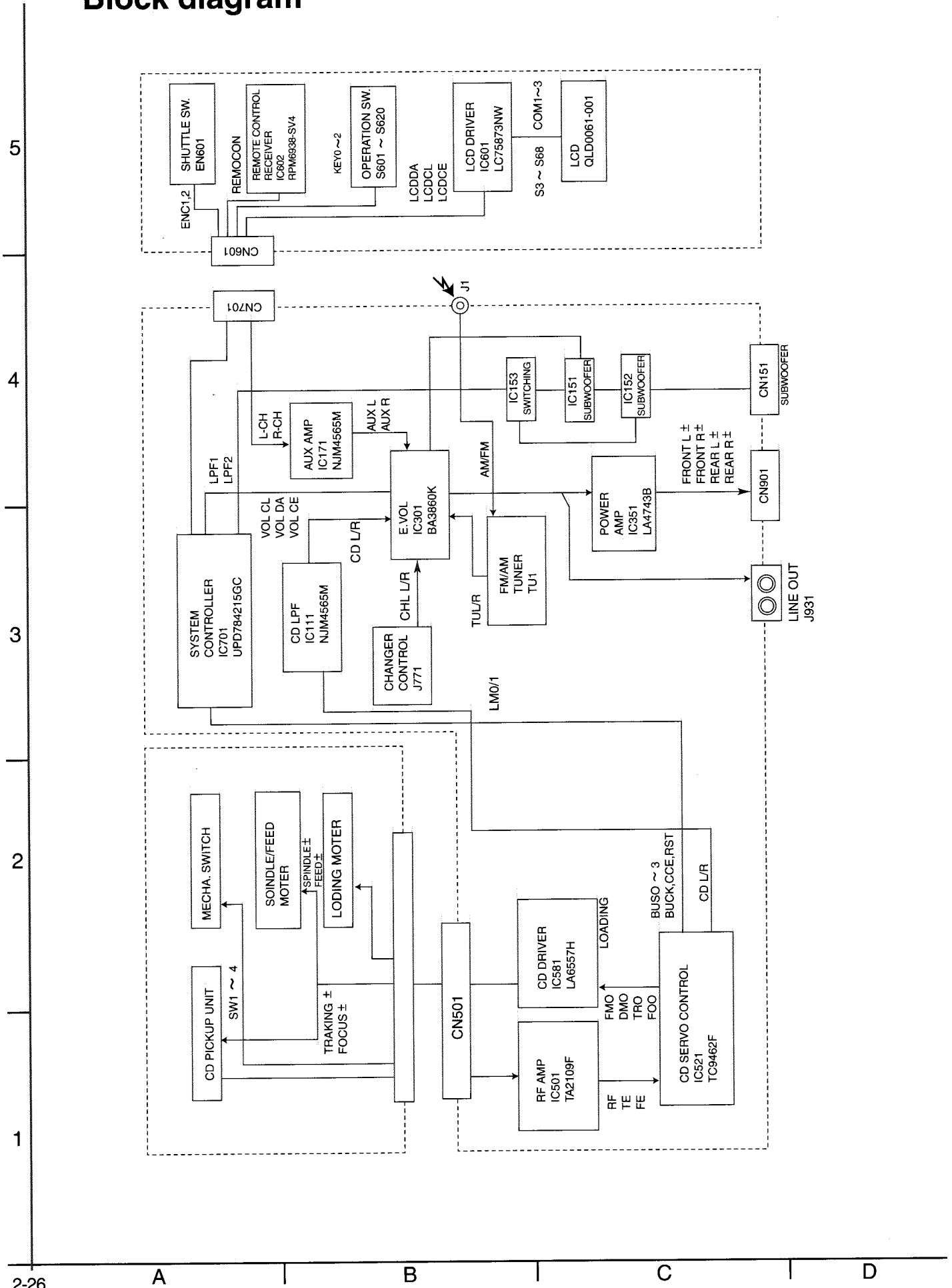
2. Block Diagram



■ NJM4565M-WE (IC111) : Ope. amp

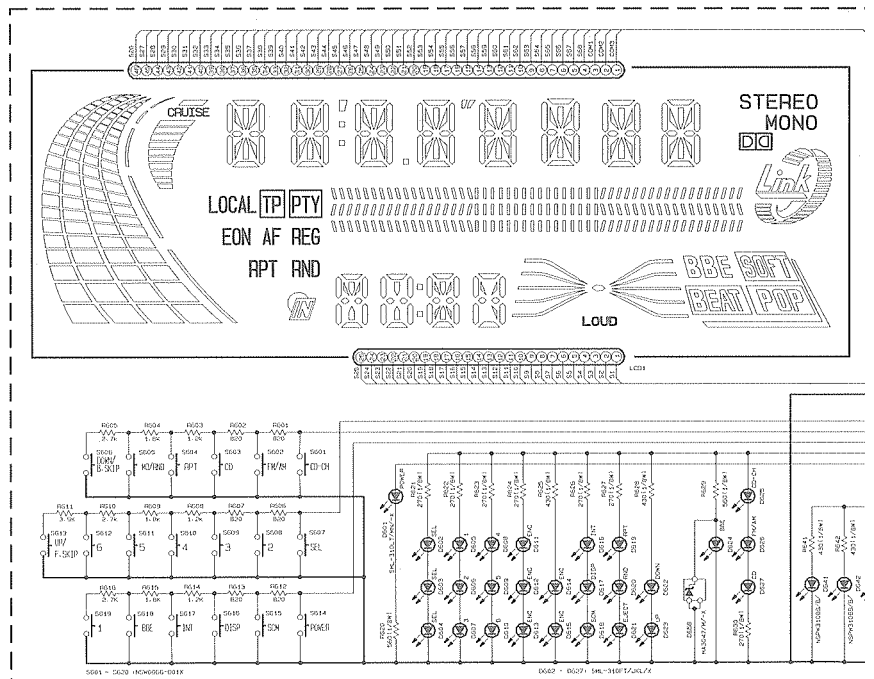
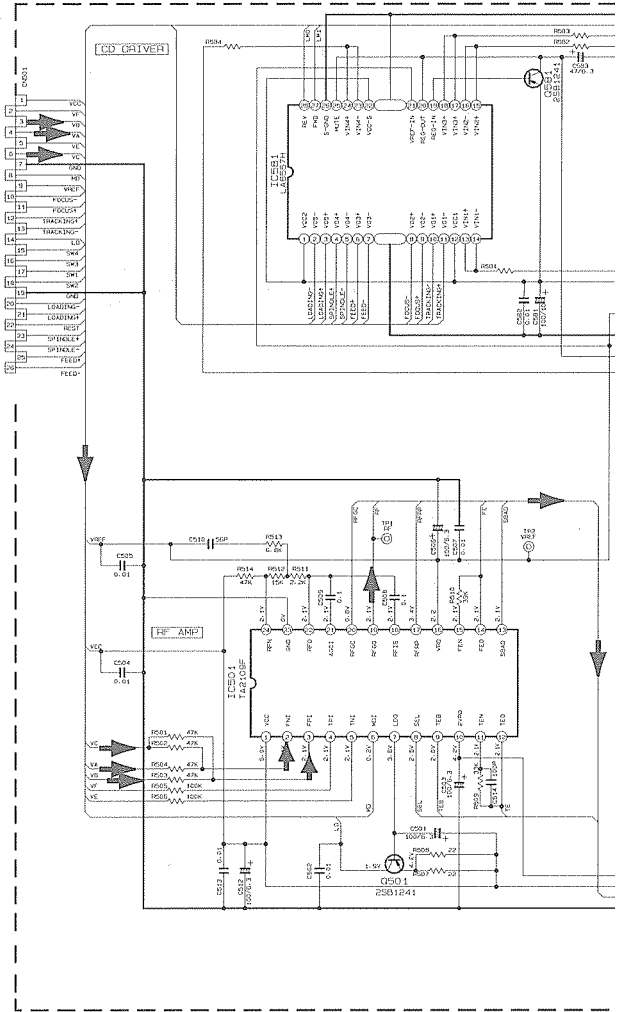
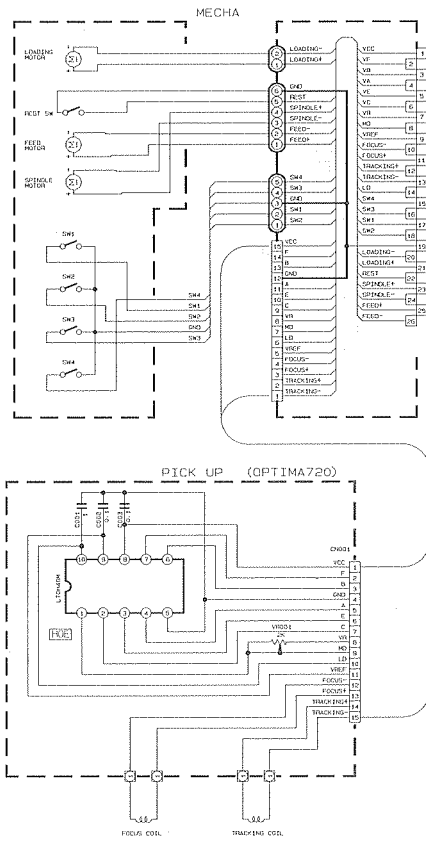


Block diagram



Standard schematic diagrams

■ CD servo control & LCD driver circuit



5

4

3

2

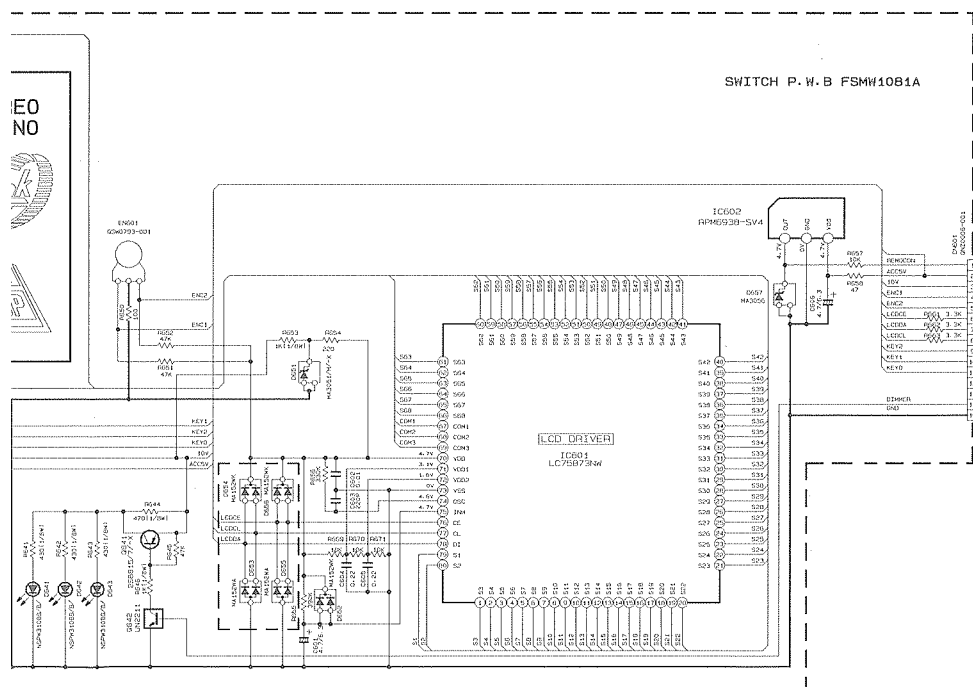
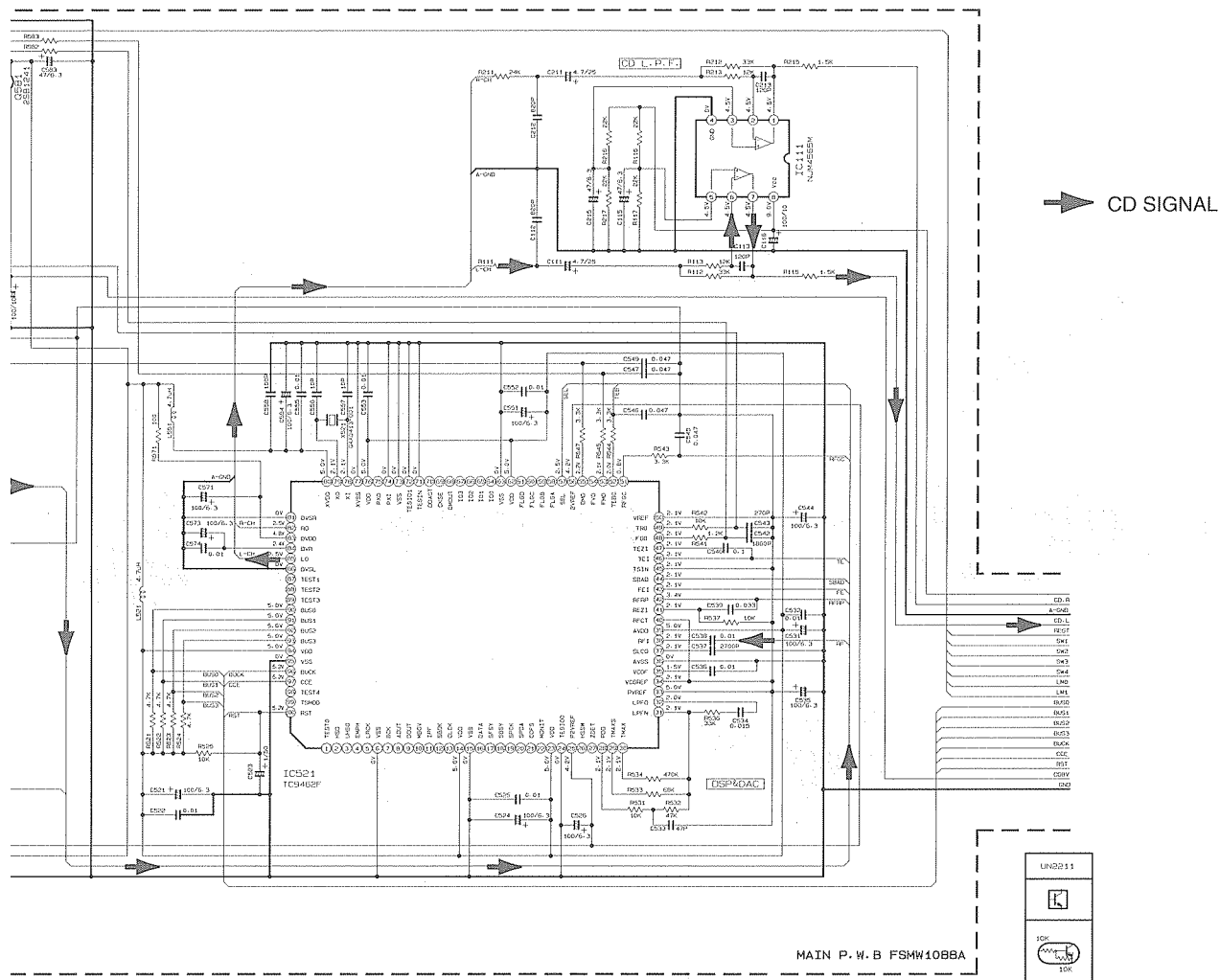
1

A

B

C

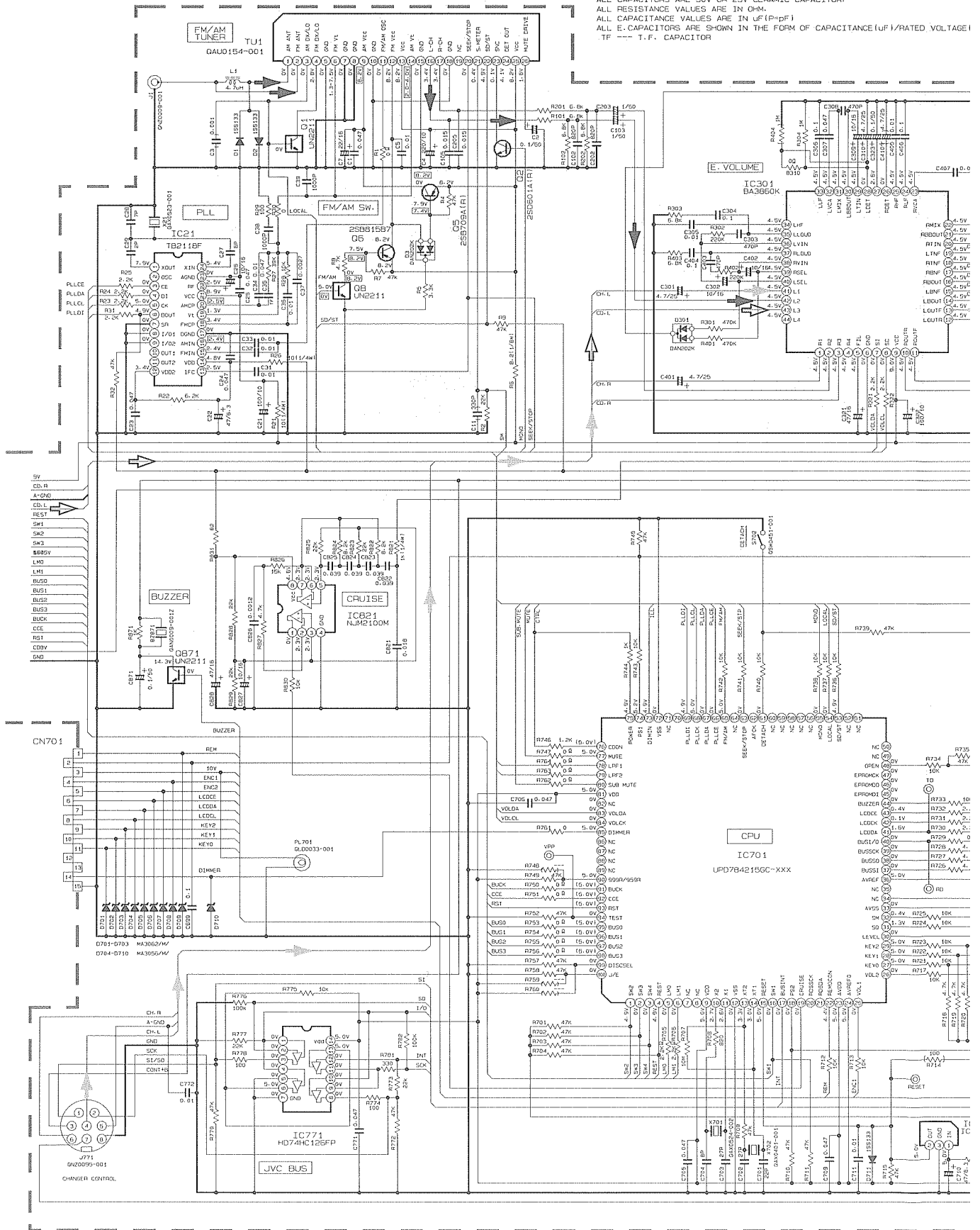
D



Power amplifier circuit

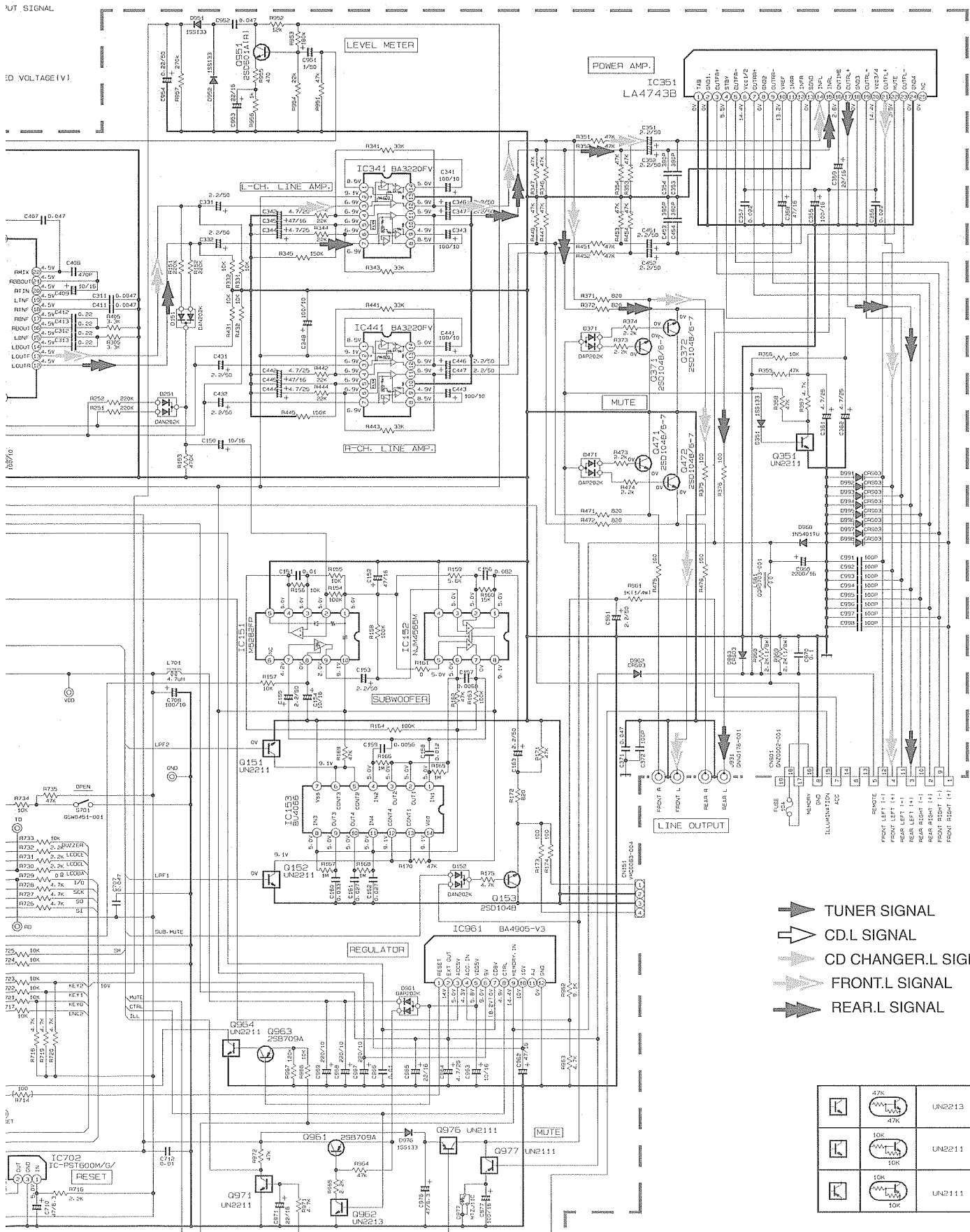
NOTES

- VOLTAGES ARE DC-MEASURED WITH A DIGITAL VOLT METER WITHOUT INPUT SIGNAL CONDITION---FM MODE, □ AM MODE, () CD MODE.
- UNLESS OTHERWISE SPECIFIED, ALL RESISTORS ARE 1/10W 45% METAL GLAZE RESISTOR. ALL CAPACITORS ARE 50V OR 25V CERAMIC CAPACITOR. ALL RESISTANCE VALUES ARE IN OHM. ALL CAPACITANCE VALUES ARE IN UF(P=PF) ALL E. CAPACITORS ARE SHOWN IN THE FORM OF CAPACITANCE (UF)/RATED VOLTAGE (TF --- T.F. CAPACITOR)



UT SIGNAL

ID VOLTAGE (V)



- TUNER SIGNAL
- CD.L SIGNAL
- CD CHANGER.L SIGNAL
- FRONT.L SIGNAL
- REAR.L SIGNAL

	47K	UN2213
	47K	UN2211
	10K	UN2111
	10K	UN2111

MAIN P.W.B FSMW108BA

■ Main board

(Solder side)

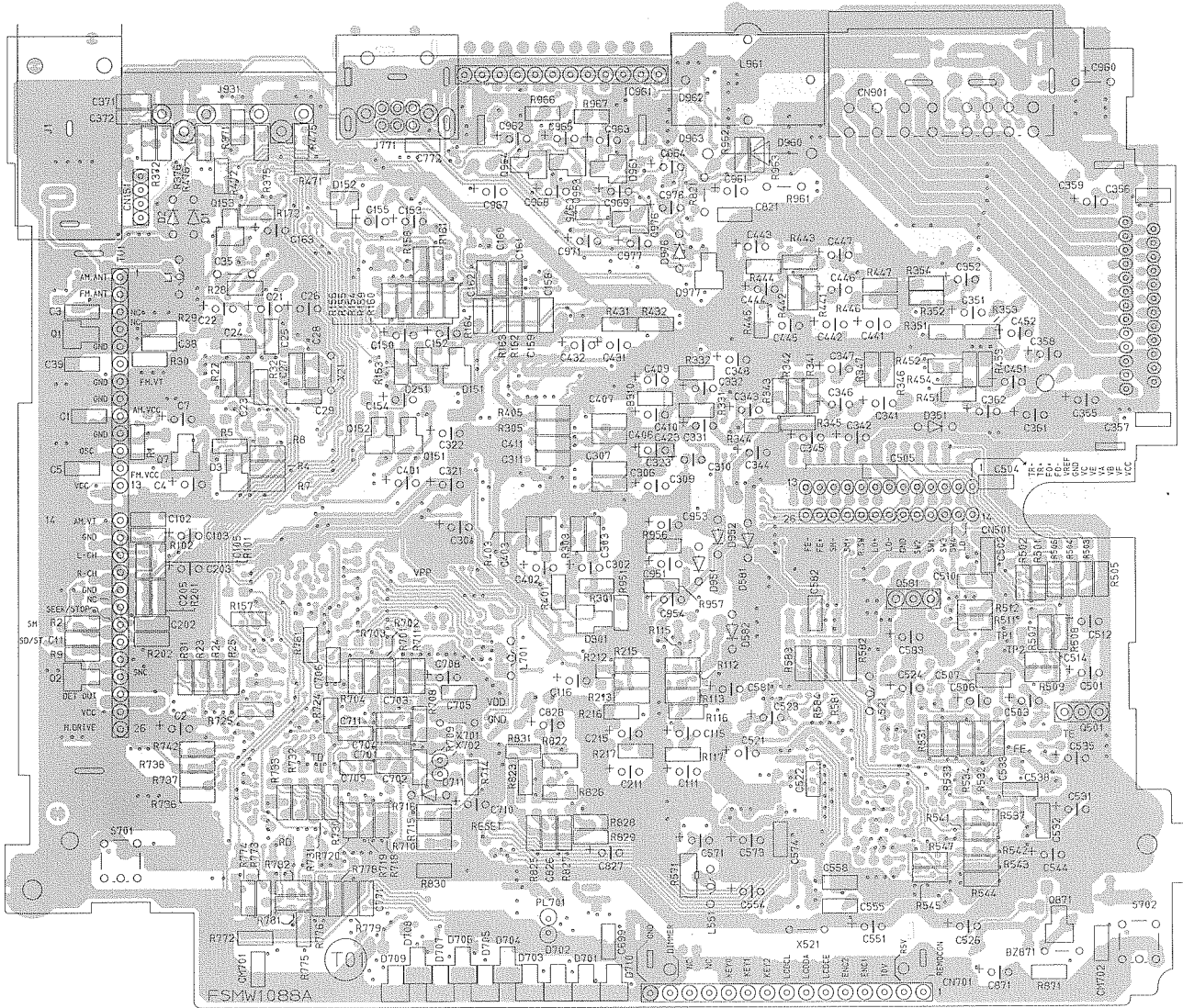
5

4

3

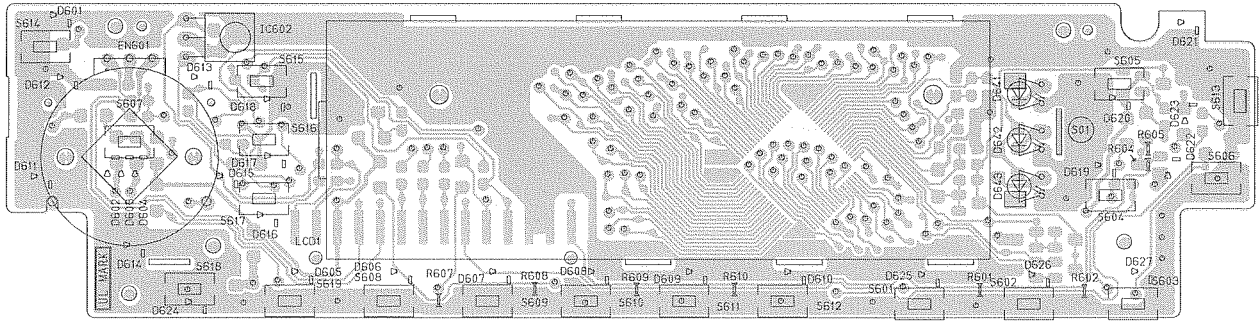
2

1

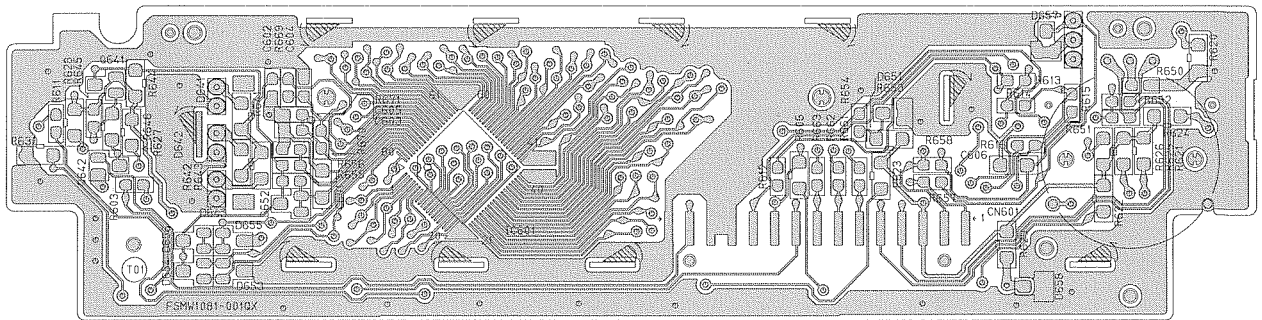


■ Switch board

(Parts side)



(Solder side)



5
4
3
2
1

-MEMO-

PARTS LIST

[KD-SX950]

* All printed circuit boards and its assemblies are not available as service parts.

Areas suffix
J ----- Northern America

- Contents -

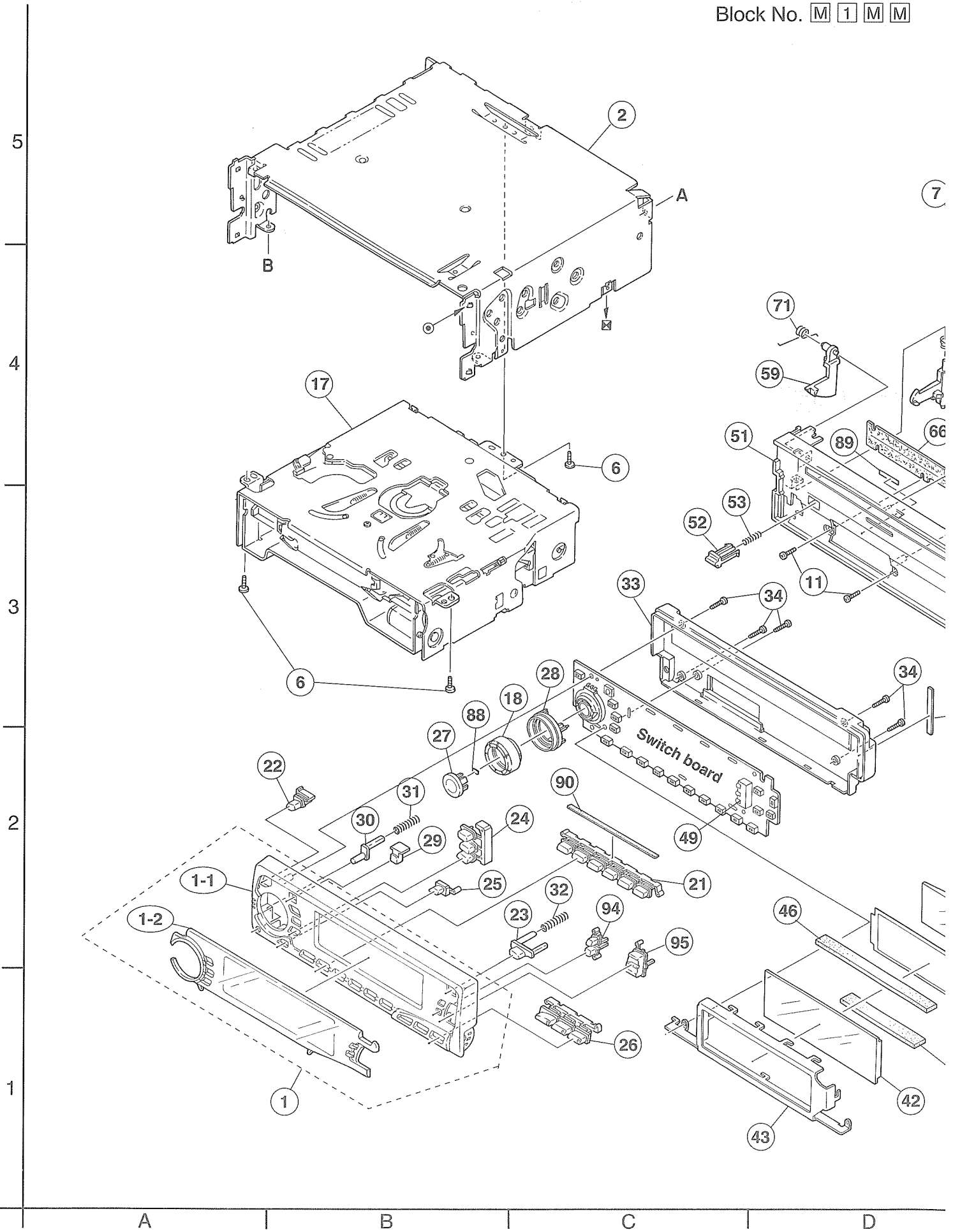
Exploded view of general assembly and parts list	3-3
CD mechanism assembly and parts list	3-5
Electrical parts list	3-8
Packing materials and accessories parts list	3-14

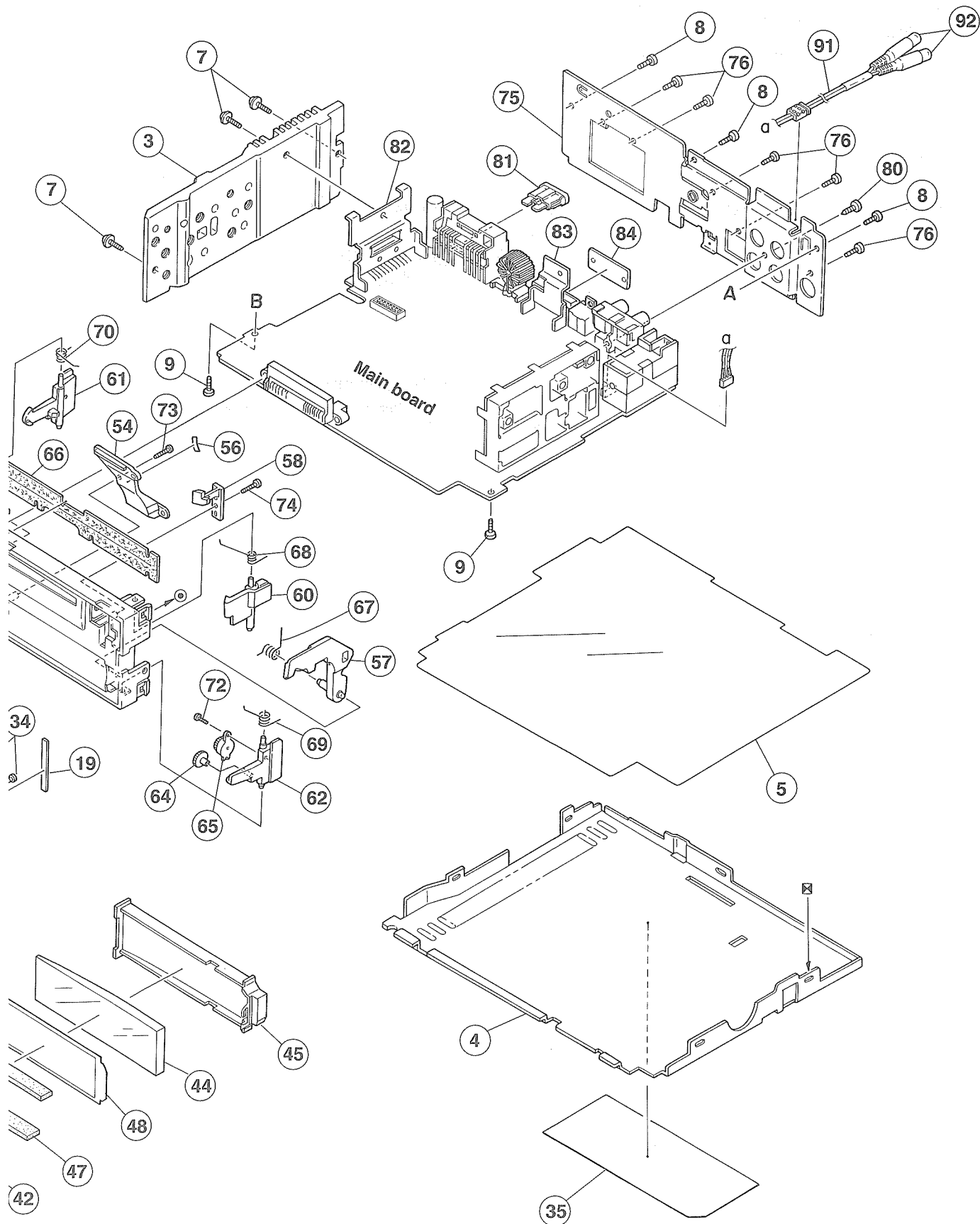
KD-SX950

-MEMO-

Exploded view of general assembly and parts list

Block No. **M 1 M M**





Parts list (General assembly)

Block No. M1MM

△	Item	Parts number	Parts name	Q'ty	Description	Area
	1	ZCKDSX950J-NPA	F.PANEL ASS'Y	1		
	1-1	FSJC1058-001	FRONT PANEL	1		
	1-2	FSJD3024-01E	FINDER LENS	1		
	2	FSJC1029-021	TOP CHASSIS	1		
	3	FSMH3001-003	SIDE PANEL	1		
	4	FSKM3011-002	BOTTOM COVER	1		
	5	FSMA3005-001	INSULATOR	1		
	6	QYSDST2604Z	SCREW	3	CHASSIS+CD MECH	
	7	FSKZ4005-001	SCREW	3		
	8	QYSDST2606Z	SCREW	3	CHASSIS+REAR BK	
	9	QYSDST2606Z	SCREW	2	CHASSIS+MAIN PW	
	11	QYSDSF2006M	SCREW	2		
	17	-----	CD MECHA	1		
	18	FSXK3003-005	VOL.KNOB	1	JOG DIAL	
	19	FSYH4036-035	SHEET	1	PET FOR REAR CO	
	21	FSXP2045-002	PRESET BUTTON	1	1-6 SELECT	
	22	FSXP3053-002	POWER BUTTON	1		
	23	FSXP3058-001	EJECT BUTTON	1		
	24	FSXP2041-004	PUSH BUTTON	1		
	25	FSXP4006-002	OPERAT.BUTTON	1		
	26	FSXP2038-002	OPERAT.BUTTON	1		
	27	FSXP3061-001	SEL BUTTON	1		
	28	FSJK3027-001	RIM LENS	1	FOR KNOB	
	29	FSJK4009-001	REMOTE LENS	1	FOR REMOTE CON.	
	30	FSXP3059-001	DETACH BUTTON	1		
	31	VKW3001-330	COMP.SPRING	1	FOR DETACH BUTT	
	32	VKW3001-330	COMP.SPRING	1	FOR EJECT BUTTO	
	33	FSJC1059-001	REAR COVER	1		
	34	VKZ4777-001	MINI SCREW	5	FRONT+SW.PWB	
	35	FSYN3114-006	NAME PLATE	1		
	42	QLD0113-001	LCD MODULE	1		
	43	FSYH3024-001	LCD CASE	1		
	44	FSJK3028-001	LCD LENS	1		
	45	FSKS3013-001	LENS CASE	1		
	46	QNZ0449-001	RUBB.CONNECTOR	1		
	47	QNZ0450-001	RUBB.CONNECTOR	1		
	48	FSYH4061-001	LIGHTNG SHEET	1		
	49	FSKS3017-002	LED HOLDER	1		
	51	FSJC1061-001	FRONT CHASSIS	1		
	52	FSXP3060-001	RELEASE LEVER	1		
	53	FSKW3002-016	COMP.SPRING	1	FOR RELEASE KNO	
	54	VJK3709-002	LIGHT LENS	1		
	56	FSYH4036-055	SHEET	1	FOR LIGHT LENS	
	57	FSKS3014-001	OPEN LEVER	1		
	58	FSKS3015-001	LOCK LEVER(O.L)	1		
	59	VKS3798-002	RELEASE LEVER	1		
	60	VKS3793-001	LOCK LEVER(TOP)	1		
	61	VKS3794-003	LOCK LEVER(L)	1		

■ Parts list (General assembly)

Block No. M1MM

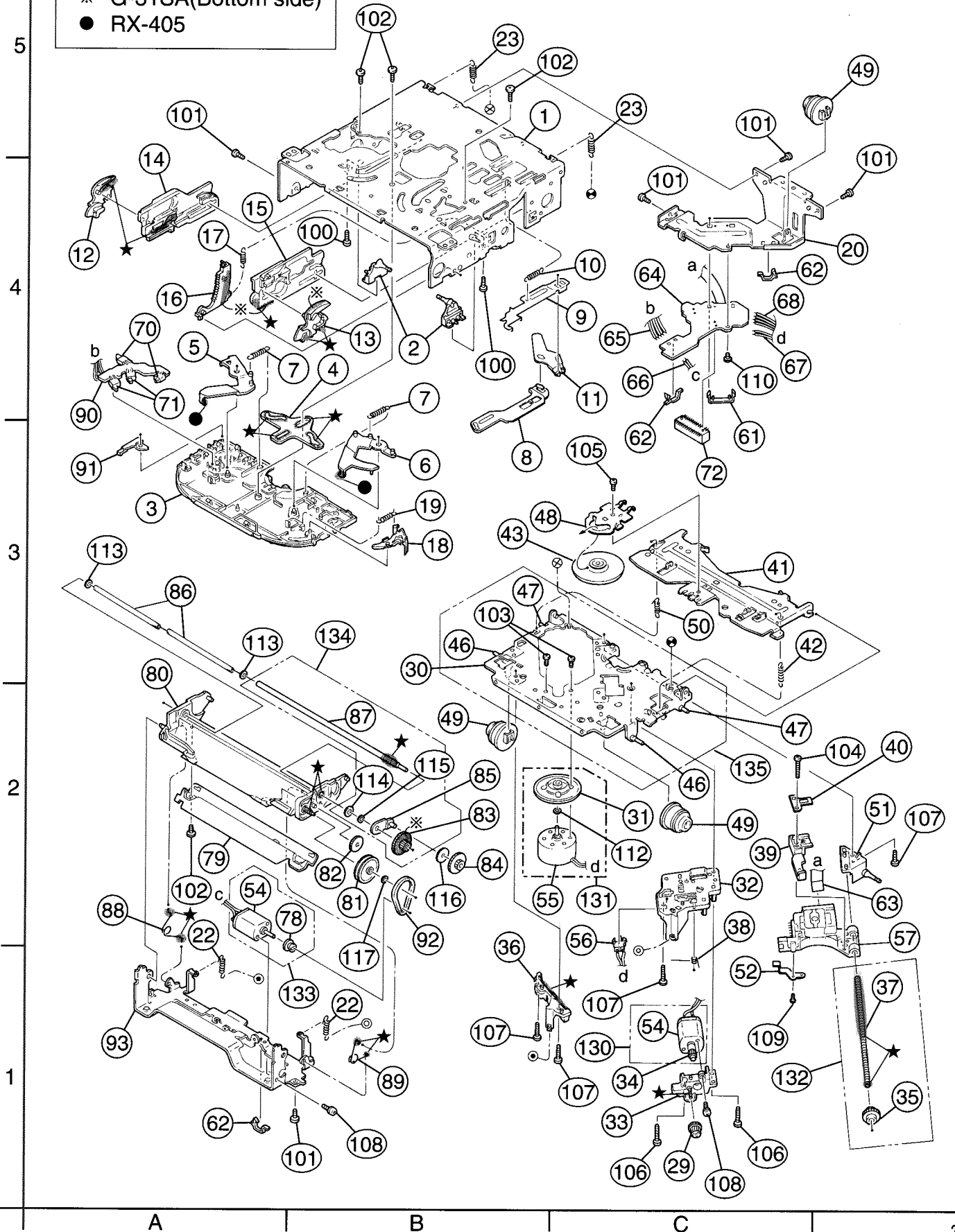
△	Item	Parts number	Parts name	Q'ty	Description	Area
	62	VKS3795-002	LOCK LEVER(R)	1		
	64	VKS5563-001	GEAR	1		
	65	VKZ4786-002	OIL DAMPER	1		
	66	VYTA526-002	BLIND	1		
	67	FSKW4013-002	T.SPRING	1	FOR OPEN LEVER	
	68	FSKW4012-002	T.SPRING	1	FOR L.LEVER(TOP	
	69	VKW5262-001	T.SPRING	1	FOR L.LEVER(R)	
	70	VKW5263-002	T.SPRING	1	FOR L.LEVER(L)	
	71	VKW5264-005	T.SPRING	1	FOR RELEASE LEV	
	72	QYSDSF2006M	SCREW	1	DAMPER+L.LEVER(
	73	VKZ4777-001	MINI SCREW	1	L.LENS+F.CHASSI	
	74	VKZ4777-001	MINI SCREW	1	LOCK LEVER(O.L.	
	75	FSKM3010-019	REAR BRACKET	1		
	76	QYSDST2606Z	SCREW	5		
	80	QYSDSF3006Z	SCREW	1	PIN	
△	81	QMFZ021-150-J1	FUSE	1		
	82	FSKL4024-001	P.W.B.BRACKET	1		
	83	FSKL4015-002	REG BRACKET	1		
	84	FSKL4014-002	HEAT SINK	1		
	88	FSYH4036-032	SHEET	1	SPACER FOR SEL	
	89	FSYH4036-056	SHEET	1		
	90	FSYH4036-031	BUTTON SHEET	1		
	91	QAM0154-001	SUB-CABLE	1		
	92	VYTA500-001	PIN CAP	2		
	94	FSXP3062-001	PUSH BUTTON(R)	1		
	95	FSXP2043-001	UP DOWN BUTTON	1		

CD mechanism assembly and parts list

Block No. M 2 M M

Grease

- ★ G-31SA
- ※ G-31SA(Bottom side)
- RX-405



■ Parts list (CD mechanism)

Block No. M2MM

△	Item	Parts number	Parts name	Q'ty	Description	Area
	1	30310101T	FRAME	1		
	2	30310103T	DANPER PIN	2		
	3	30310107T	UPPER PLATE	1		
	4	30310108T	SEL STOP PLATE	1		
	5	30310142T	SEL ARM (L)L	1		
	6	30310143T	SEL ARM (R)L	1		
	7	30310145T	S ARM SPRING(L)	2		
	8	30310112T	TRIG LEVER	1		
	9	30310155T	TRIG PL(Z)	1		
	10	30310115T	TRIG PL SPRING	1		
	11	30310116T	TRIG ARM	1		
	12	30310134T	FIX ARM (L)B	1		
	13	30310159T	FIX ARM (R)Z	1		
	14	30310150T	FIX PL (L)Z	1		
	15	30310156T	FIX PL (R) Z	1		
	16	30310138T	LDG GR (6)B	1		
	17	30310122T	LDG GEAR (6)SP	1		
	18	30310148T	S.L ARM(N)	1		
	19	30310125T	S.L ARM SPRING	1		
	20	30310149T	REAR DAM BKT(Z)	1		
	22	30310151T	HUNG UP SP (FZ)	2		
	23	30310129T	HUNG UP SP (R)	2		
	29	30300510T	PU GEAR(B)	1		
	30	-----	T.T.BASE(Z)	1		
	31	-----	TURN TABLE(Z)	1		
	32	30310544T	F.M.BASE(Z)	1		
	33	30310547T	FD GR BLK(Z)	1		
	34	-----	FD GR AZ	1		
	35	-----	FD GR CZ	1		
	36	30310546T	PU GUIDE(Z)	1		
	37	-----	FD SCREW(Z)	1		
	38	30310533T	THRUST SPR(M)	1		
	39	30310548T	PU M NUT(Z)	1		
	40	30310512T	NUT PUSH SPR PL	1		
	41	30310558T	CLP ARM(Z)	1		
	42	30310514T	CLP ARM SPRING	1		
	43	30310552T	CLAMPER(Z)	1		
	46	-----	LOCK PIN(FZ)	2		
	47	-----	LOCK PIN(RZ)	2		
	48	30310557T	CLAMPER PLATE(Z)	1		
	49	30310524T	DAMPER (J)	3		
	50	30310525T	CLP ARM SPR (L)	1		
	51	30310545T	F SCREW GUIDE(Z)	1		
	52	30310556T	PU G.SP PLT(Z)	1		
	54	-----	FEED MOTOR	2	FF030PK-09210	
	55	-----	SPINDLE MOTOR	1	RF300CA-11440D	
	56	64180405T	DET SW	1	ESE11SF4	
	57	OPTIMA-720L1	C.D PICK (CAR)	1		

Parts list (CD mechanism)
Block No. M2MM

△	Item	Parts number	Parts name	Q'ty	Description	Area
	61	30311035T	FPC HOLDER(Z)	1		
	62	19501403T	WIRE CLAMPER	3		
	63	30311037T	PICK UP FPC(Z)	1		
	64	30311036T	CONNECT.PCB(Z-J)	1		
	65	30311038T	WIRE (5P-Z)	1		
	66	30311039T	WIRE (LD-Z)	1		
	67	30311040T	WIRE (FD-Z)	1		
	68	30311041T	WIRE (RS-Z)	1		
	70	64180402T	DET SWITCH	2	ESE22MH1	
	71	64180403T	DET SWITCH	2	ESE22MH3	
	72	68150232T	CONNECTOR	1	TKC-W26X-C1	
	78	-----	LDG PULLEY	1		
	79	30311105T	SOPPORT PLATE	1		
	80	30311138T	GR MT BLK(N)	1		
	81	30311109T	LDG GEAR (2)	1		
	82	30311110T	LDG GEAR (3)	1		
	83	-----	LDG GEAR (4)	1		
	84	30311112T	LDG GEAR (5)	1		
	85	-----	LDG GR ARM	1		
	86	30311136T	LDG ROLLER	2		
	87	-----	LDG RLR SHAFT	1		
	88	30311118T	L.P SPRING (L)	1		
	89	30311119T	L.P SPRING (R)	1		
	90	30311123T	SW PCB	1		
	91	30311124T	SW ACTUATOR	1		
	92	30311129T	LDG BELT	1		
	93	30311140T	FRONT BRKT (J)	1		
	100	9C0620503T	C B TAP SCREW	2	M2X5	
	101	9C2020401T	C SCREW TS.G	5	M2X4	
	102	9C4320403T	C B TAP SCREW	4	M2X4	
	103	9C0117223T	SCREW	2	M1.7X2.2	
	104	9C4217703T	C TAP SCREW S3	1	M1.7X7	
	105	9C0320201T	C TAP SCREW S3	1	M2X2	
	106	9C4920013T	C TAP SCREW S3	2	M2X10	
	107	9C4920603T	C TAP SCREW B3	4	M2X6	
	108	9P0220031T	TAMS SCREW	2	M2X3	
	109	9C0314203T	C TAP SCREW	1	M1.4X2	
	110	9C0420253	C TAP SCREW	1	M2X2.5	
	112	-----	POLY WASHER	1	2.1X3.5X0.3	
	113	9W0330276	NW BLUE	2	2.9X5X0.3	
	114	-----	WAVE WASHER	1		
	115	-----	LUMILAR WASHER	1	2.5X6X0.1	
	116	9W0725030T	LUMILAR WASHER	1	2.3X9.8X0.25	
	117	9W0640030T	WASHER	1	1.4X3.2X0.4	
	130	303105310T	FEED MO ASSY	1	NO.34 54	
	131	303105311T	SPINDLE MO ASSY	1	NO.31 55 112	
	132	303105312T	FEED SCREW ASSY	1	NO.35 37	
	133	303111301T	LDG MOTOR ASSY	1	NO.54 78	
	134	303111302T	ROLLER SHAFT	1	NO.83 85 87	
		303111302T	ROLLER SHAFT	1	NO.114 115	
	135	303105502T	T.T.BASE ASSY	1	NO.30 46 47	

Electrical parts list

■ Electrical parts list (Main board)

Block No. 01

△	Item	Parts number	Parts name	Remarks	Area
	BZ871	QAN0009-001Z	BUZZER		
	C 1	NCB21EK-473X	C CAPACITOR		
	C 2	QERF1HM-104Z	E CAPACITOR	.10MF 20% 50V	
	C 4	QER41AM-227	E CAPACITOR	220MF 20% 10V	
	C 5	NCB21HK-103X	C CAPACITOR		
	C 7	QEKJ1CM-226Z	E CAPACITOR	22MF 20% 16V	
	C 21	QER41AM-107	E CAPACITOR	100MF 20% 10V	
	C 22	QERF0JM-476Z	E CAPACITOR	47MF 20% 6.3V	
	C 23	NCB21HK-473X	C CAPACITOR		
	C 24	NCB21HK-473X	C CAPACITOR		
	C 25	NCB21HK-473X	C CAPACITOR		
	C 26	QEK41CM-106	E CAPACITOR	10MF 20% 16V	
	C 27	NDC21HJ-100X	C CAPACITOR		
	C 28	NDC21HJ-7R0X	C CAPACITOR		
	C 29	NDC21HJ-100X	C CAPACITOR		
	C 31	NCB21HK-103X	C CAPACITOR		
	C 32	NCB21HK-103X	C CAPACITOR		
	C 33	NCB21HK-103X	C CAPACITOR		
	C 34	NCB21HK-103X	C CAPACITOR		
	C 35	QFV41HJ-473	TF CAPACITOR	.047MF 5% 50V	
	C 36	NCB21HK-103X	C CAPACITOR		
	C 37	NCB21HK-272X	C CAPACITOR		
	C 38	NCB21HK-102X	C CAPACITOR		
	C 39	NCB21HK-102X	C CAPACITOR		
	C 102	NCB21HK-821X	C CAPACITOR		
	C 103	QER41HM-105	E CAPACITOR	1.0MF 20% 50V	
	C 105	NCB21HK-153X	C CAPACITOR		
	C 111	QEK41EM-475	E CAPACITOR	4.7MF 20% 25V	
	C 112	NCS21HJ-821X	C CAPACITOR		
	C 113	NCS21HJ-121X	C CAPACITOR		
	C 115	QEKJ0JM-476Z	E CAPACITOR	47MF 20% 6.3V	
	C 116	QEKJ1AM-107Z	E CAPACITOR	100MF 20% 10V	
	C 150	QER41CM-106	E CAPACITOR	10MF 20% 16V	
	C 151	NCB21HK-103X	C CAPACITOR		
	C 152	QER41CM-476	E CAPACITOR	47MF 20% 16V	
	C 153	QERF1HM-225Z	E CAPACITOR	2.2MF 20% 50V	
	C 154	QER41CM-106	E CAPACITOR	10MF 20% 16V	
	C 155	QERF1HM-225Z	E CAPACITOR	2.2MF 20% 50V	
	C 156	NCB21EK-823X	C CAPACITOR		
	C 157	NCB21HK-682X	C CAPACITOR		
	C 158	NCB21EK-123X	C CAPACITOR		
	C 159	NCB21HK-562X	C CAPACITOR		
	C 160	NCB21EK-333X	C CAPACITOR		
	C 161	NCB21EK-273X	C CAPACITOR		
	C 162	NCB21EK-273X	C CAPACITOR		
	C 163	QERF1HM-225Z	E CAPACITOR	2.2MF 20% 50V	
	C 202	NCB21HK-821X	C CAPACITOR		
	C 203	QER41HM-105	E CAPACITOR	1.0MF 20% 50V	
	C 205	NCB21HK-153X	C CAPACITOR		
	C 211	QEK41EM-475	E CAPACITOR	4.7MF 20% 25V	
	C 212	NCS21HJ-821X	C CAPACITOR		
	C 213	NCS21HJ-121X	C CAPACITOR		
	C 215	QEKJ0JM-476Z	E CAPACITOR	47MF 20% 6.3V	
	C 301	QERF1EM-475Z	E CAPACITOR	4.7MF 20% 25V	
	C 302	QER41CM-106	E CAPACITOR	10MF 20% 16V	
	C 303	NCS21HJ-471X	C CAPACITOR		
	C 304	NCB21EK-104X	C CAPACITOR		
	C 305	NCB21HK-103X	C CAPACITOR		
	C 306	NCB21CK-104X	C CAPACITOR		
	C 307	NCB21HK-472X	C CAPACITOR		
	C 308	NCS21HJ-471X	C CAPACITOR		
	C 309	QER41CM-106	E CAPACITOR	10MF 20% 16V	
	C 310	QERF1EM-475Z	E CAPACITOR	4.7MF 20% 25V	
	C 311	NCB21EK-472X	C CAPACITOR		
	C 312	NCB21CK-224X	C CAPACITOR		
	C 313	NCB21CK-224X	C CAPACITOR		
	C 321	QER41CM-476	E CAPACITOR	47MF 20% 16V	

△	Item	Parts number	Parts name	Remarks	Area
	C 322	QER41AM-107	E CAPACITOR	100MF 20% 10V	
	C 323	QERF1HM-104Z	E CAPACITOR	.10MF 20% 50V	
	C 331	QERF1HM-225Z	E CAPACITOR	2.2MF 20% 50V	
	C 332	QERF1HM-225Z	E CAPACITOR	2.2MF 20% 50V	
	C 341	QER41AM-107	E CAPACITOR	100MF 20% 10V	
	C 342	QERF1EM-475Z	E CAPACITOR	4.7MF 20% 25V	
	C 343	QER41AM-107	E CAPACITOR	100MF 20% 10V	
	C 344	QERF1EM-475Z	E CAPACITOR	4.7MF 20% 25V	
	C 345	QER41CM-476	E CAPACITOR	47MF 20% 16V	
	C 346	QERF1HM-225Z	E CAPACITOR	2.2MF 20% 50V	
	C 347	QERF1HM-225Z	E CAPACITOR	2.2MF 20% 50V	
	C 348	QER41AM-107	E CAPACITOR	100MF 20% 10V	
	C 351	QERF1HM-225Z	E CAPACITOR	2.2MF 20% 50V	
	C 352	QERF1HM-225Z	E CAPACITOR	2.2MF 20% 50V	
	C 353	NCS21HJ-391X	C CAPACITOR		
	C 354	NCS21HJ-391X	C CAPACITOR		
	C 355	QERF1CM-107Z	E CAPACITOR	100MF 20% 16V	
	C 356	NCB21HK-223X	C CAPACITOR		
	C 357	NCB21HK-223X	C CAPACITOR		
	C 358	QER41CM-476	E CAPACITOR	47MF 20% 16V	
	C 359	QERF1CM-226Z	E CAPACITOR	22MF 20% 16V	
	C 361	QEK41EM-475	E CAPACITOR	4.7MF 20% 25V	
	C 362	QEK41EM-475	E CAPACITOR	4.7MF 20% 25V	
	C 401	QERF1EM-475Z	E CAPACITOR	4.7MF 20% 25V	
	C 402	QER41CM-106	E CAPACITOR	10MF 20% 16V	
	C 403	NCS21HJ-471X	C CAPACITOR		
	C 404	NCB21EK-104X	C CAPACITOR		
	C 405	NCB21HK-103X	C CAPACITOR		
	C 406	NCB21CK-104X	C CAPACITOR		
	C 407	NCB21HK-472X	C CAPACITOR		
	C 408	NCS21HJ-471X	C CAPACITOR		
	C 409	QER41CM-106	E CAPACITOR	10MF 20% 16V	
	C 411	NCB21EK-472X	C CAPACITOR		
	C 412	NCB21CK-224X	C CAPACITOR		
	C 413	NCB21CK-224X	C CAPACITOR		
	C 431	QERF1HM-225Z	E CAPACITOR	2.2MF 20% 50V	
	C 432	QERF1HM-225Z	E CAPACITOR	2.2MF 20% 50V	
	C 441	QER41AM-107	E CAPACITOR	100MF 20% 10V	
	C 442	QERF1EM-475Z	E CAPACITOR	4.7MF 20% 25V	
	C 443	QER41AM-107	E CAPACITOR	100MF 20% 10V	
	C 444	QERF1EM-475Z	E CAPACITOR	4.7MF 20% 25V	
	C 445	QER41CM-476	E CAPACITOR	47MF 20% 16V	
	C 446	QERF1HM-225Z	E CAPACITOR	2.2MF 20% 50V	
	C 447	QERF1HM-225Z	E CAPACITOR	2.2MF 20% 50V	
	C 451	QERF1HM-225Z	E CAPACITOR	2.2MF 20% 50V	
	C 452	QERF1HM-225Z	E CAPACITOR	2.2MF 20% 50V	
	C 453	NCS21HJ-391X	C CAPACITOR		
	C 454	NCS21HJ-391X	C CAPACITOR		
	C 501	QERF0JM-107Z	AL E. CAPACITOR	100MF 20% 6.3V	
	C 502	NCB21HK-103X	C CAPACITOR		
	C 503	QERF0JM-107Z	AL E. CAPACITOR	100MF 20% 6.3V	
	C 504	NCB21HK-103X	C CAPACITOR		
	C 505	NCB21HK-103X	C CAPACITOR		
	C 506	QERF0JM-107Z	AL E. CAPACITOR	100MF 20% 6.3V	
	C 507	NCB21HK-103X	C CAPACITOR		
	C 508	NCB21HK-104X	C CAPACITOR		
	C 509	NCB21HK-104X	C CAPACITOR		
	C 510	NCS21HJ-560X	C CAPACITOR		
	C 512	QERF0JM-107Z	AL E. CAPACITOR	100MF 20% 6.3V	
	C 513	NCB21HK-103X	C CAPACITOR		
	C 514	NCS21HJ-101X	C CAPACITOR		
	C 521	QEKJ0JM-107Z	E CAPACITOR	100MF 20% 6.3V	
	C 522	NCB21HK-103X	C CAPACITOR		
	C 523	QEKJ1HM-105Z	E CAPACITOR	1.0MF 20% 50V	
	C 524	QEKJ0JM-107Z	E CAPACITOR	100MF 20% 6.3V	
	C 525	NCB21HK-103X	C CAPACITOR		
	C 526	QEKJ0JM-107Z	E CAPACITOR	100MF 20% 6.3V	

■ Electrical parts list (Main board)

Block No. 01

△	Item	Parts number	Parts name	Remarks	Area
	C 531	QERF0JM-107Z	AL E.CAPACITOR	100MF 20% 6.3V	
	C 532	NCB21HK-103X	C CAPACITOR		
	C 533	NCS21HJ-470X	C CAPACITOR		
	C 534	NCB21HK-153X	C CAPACITOR		
	C 535	QEKJ0JM-107Z	E CAPACITOR	100MF 20% 6.3V	
	C 536	NCB21HK-103X	C CAPACITOR		
	C 537	NCB21HK-272X	C CAPACITOR		
	C 538	NCB21HK-103X	C CAPACITOR		
	C 539	NCB21HK-333X	C CAPACITOR		
	C 540	NCB21HK-103X	C CAPACITOR		
	C 542	NCB21HK-332X	C CAPACITOR		
	C 543	NCS21HJ-561X	C CAPACITOR		
	C 544	QERF0JM-107Z	AL E.CAPACITOR	100MF 20% 6.3V	
	C 545	NCB21HK-473X	C CAPACITOR		
	C 546	NCB21HK-473X	C CAPACITOR		
	C 547	NCB21HK-473X	C CAPACITOR		
	C 549	NCB21HK-473X	C CAPACITOR		
	C 551	QEKJ0JM-107Z	E CAPACITOR	100MF 20% 6.3V	
	C 552	NCB21HK-103X	C CAPACITOR		
	C 553	NCB21HK-103X	C CAPACITOR		
	C 554	QEKJ0JM-107Z	E CAPACITOR	100MF 20% 6.3V	
	C 555	NCB21HK-103X	C CAPACITOR		
	C 556	NDC21HJ-100X	C CAPACITOR		
	C 557	NDC21HJ-100X	C CAPACITOR		
	C 558	NCS21HJ-101X	C CAPACITOR		
	C 571	QEKJ0JM-107Z	E CAPACITOR	100MF 20% 6.3V	
	C 573	QEKJ0JM-107Z	E CAPACITOR	100MF 20% 6.3V	
	C 574	NCB21HK-103X	C CAPACITOR		
	C 581	QER41AM-107	E CAPACITOR	100MF 20% 10V	
	C 582	NCB21HK-103X	C CAPACITOR		
	C 583	QERF0JM-476Z	E CAPACITOR	47MF 20% 6.3V	
	C 699	NCB21EK-104X	C CAPACITOR		
	C 701	NDC21HJ-220X	C CAPACITOR		
	C 702	NDC21HJ-270X	C CAPACITOR		
	C 703	NDC21HJ-270X	C CAPACITOR		
	C 704	NDC21HJ-8R0X	C CAPACITOR		
	C 705	NCB21HK-473X	C CAPACITOR		
	C 706	NCB21HK-473X	C CAPACITOR		
	C 707	NCB21HK-473X	C CAPACITOR		
	C 708	QER41AM-107	E CAPACITOR	100MF 20% 10V	
	C 709	NCB21HK-473X	C CAPACITOR		
	C 710	QERF0JM-476Z	E CAPACITOR	47MF 20% 6.3V	
	C 711	NCB21HK-103X	C CAPACITOR		
	C 712	NCB21HK-103X	C CAPACITOR		
	C 771	NCB21HK-473X	C CAPACITOR		
	C 772	NCB21HK-103X	C CAPACITOR		
	C 821	NCB21HK-183X	C CAPACITOR		
	C 822	NCB21EK-393X	C CAPACITOR		
	C 823	NCB21EK-393X	C CAPACITOR		
	C 824	NCB21EK-393X	C CAPACITOR		
	C 825	NCB21EK-393X	C CAPACITOR		
	C 826	NCB21HK-122X	C CAPACITOR		
	C 827	QER41CM-106	E CAPACITOR	10MF 20% 16V	
	C 828	QER41CM-476	E CAPACITOR	47MF 20% 16V	
	C 871	QERF1HM-104Z	E CAPACITOR	.10MF 20% 50V	
	C 951	QER41HM-105	E CAPACITOR	1.0MF 20% 50V	
	C 952	NCB21EK-473X	C CAPACITOR		
	C 953	QERF1CM-226Z	E CAPACITOR	22MF 20% 16V	
	C 954	QEKJ1HM-224Z	E CAPACITOR	.22MF 20% 50V	
	C 960	QEZO337-228	E CAPACITOR	2200MF	
	C 961	QERF1HM-225Z	E CAPACITOR	2.2MF 20% 50V	
	C 962	QER41CM-476	E CAPACITOR	47MF 20% 16V	
	C 963	QER41CM-106	E CAPACITOR	10MF 20% 16V	
	C 964	QERF1EM-475Z	E CAPACITOR	4.7MF 20% 25V	
	C 965	QERF1CM-226Z	E CAPACITOR	22MF 20% 16V	
	C 966	NCB21HK-103X	C CAPACITOR		
	C 967	QER41AM-227	E CAPACITOR	220MF 20% 10V	

△	Item	Parts number	Parts name	Remarks	Area
	C 968	QER41AM-227	E CAPACITOR	220MF 20% 10V	
	C 969	QER41AM-227	E CAPACITOR	220MF 20% 10V	
	C 970	NCB21HK-104X	C CAPACITOR		
	C 971	QERF1CM-226Z	E CAPACITOR	22MF 20% 16V	
	C 976	QERF0JM-476Z	E CAPACITOR	47MF 20% 6.3V	
	C 977	QERF1CM-107Z	E CAPACITOR	100MF 20% 16V	
	C 991	NCS21HJ-101X	C CAPACITOR		
	C 992	NCS21HJ-101X	C CAPACITOR		
	C 993	NCS21HJ-101X	C CAPACITOR		
	C 994	NCS21HJ-101X	C CAPACITOR		
	C 995	NCS21HJ-101X	C CAPACITOR		
	C 996	NCS21HJ-101X	C CAPACITOR		
	C 997	NCS21HJ-101X	C CAPACITOR		
	C 998	NCS21HJ-101X	C CAPACITOR		
	CN151	QGA2006C1-04	CONNECTOR		
	CN501	QGB2027M1-26S	CONNECTOR		
	CN701	QNZ0007-002	CAR CONNECTOR		
	CN901	QNZ0002-001	16P CONNECTOR		
	D 1	1SS133-T1	SI DIODE I/M		
	D 2	1SS133-T1	SI DIODE I/M		
	D 3	DAN202K-X	D TRANSISTOR		
	D 151	DAN202K-X	D TRANSISTOR		
	D 152	DAN202K-X	D TRANSISTOR		
	D 251	DAN202K-X	D TRANSISTOR		
	D 301	DAN202K-X	D TRANSISTOR		
	D 351	1SS133-T1	SI DIODE I/M		
	D 371	DAP202K-X	D TRANSISTOR		
	D 471	DAP202K-X	D TRANSISTOR		
	D 581	DSK10C-T1	DIODE		
	D 582	DSK10C-T1	DIODE		
	D 701	MA3062/H/-X	ZENER DIODE		
	D 702	MA3062/H/-X	ZENER DIODE		
	D 703	MA3062/H/-X	ZENER DIODE		
	D 704	MA3056/M/-X	ZENER DIODE		
	D 705	MA3056/M/-X	ZENER DIODE		
	D 706	MA3056/M/-X	ZENER DIODE		
	D 707	MA3056/M/-X	ZENER DIODE		
	D 708	MA3056/M/-X	ZENER DIODE		
	D 709	MA3056/M/-X	ZENER DIODE		
	D 951	1SS133-T1	SI DIODE I/M		
	D 952	1SS133-T1	SI DIODE I/M		
	D 960	1N5401-TU-15	DIODE		
	D 961	DAP202K-X	D TRANSISTOR		
	D 962	CRS03-W	SB DIODE		
	D 963	CRS03-W	SB DIODE		
	D 976	1SS133-T1	SI DIODE I/M		
	D 977	MA3110/M/-X	ZENER DIODE		
	IC 21	TB2118F-X	IC		
	IC111	NJM4565M-WE	IC		
	IC151	M5282FP-XE	IC		
	IC152	NJM4565M-WE	IC		
	IC153	BU4066BCF-X	IC		
	IC301	BD3860K	IC (1008)		
	IC341	BA3220FV-X	IC		
	IC351	LA4743B	IC		
	IC441	BA3220FV-X	IC		
	IC501	TA2109F-X	IC		
	IC521	TC9462F	IC		
	IC581	LA6557-X	IC		
	IC701	UPD784215GC-157	I.C(MICRO-COMP)		
	IC702	IC-PST600M/G/-W	IC		
	IC771	HD74HC126FP-X	IC		
	IC821	NJM2100M-WE	IC		
	IC961	BA4905-V3	IC		
	J 1	QNZ0009-001	CAR ANT JACK		
	J 771	QNZ0095-001	CONNECTOR		
	J 931	QNN0176-001	PIN JACK		

■ Electrical parts list (Main board)

Block No. 01

△	Item	Parts number	Parts name	Remarks	Area
L 1	QQL244J-4R7Z	INDUCTOR			
L 521	QQL244J-4R7Z	INDUCTOR			
L 551	QQL244J-4R7Z	INDUCTOR			
L 701	QQL244J-4R7Z	INDUCTOR			
L 961	QQR0703-001	CHOKO COIL			
PL701	QLL0033-001	LAMP			
Q 2	2SD601A/R/-X	TRANSISTOR			
Q 5	2SB709A/R/-X	TRANSISTOR			
Q 6	2SB815/7/-X	TRANSISTOR			
Q 8	UN2211-X	TRANSISTOR			
Q 151	UN2211-X	TRANSISTOR			
Q 152	UN2211-X	TRANSISTOR			
Q 153	2SD1048/6-7/-X	TRANSISTOR			
Q 351	UN2211-X	TRANSISTOR			
Q 371	2SD1048/6-7/-X	TRANSISTOR			
Q 372	2SD1048/6-7/-X	TRANSISTOR			
Q 471	2SD1048/6-7/-X	TRANSISTOR			
Q 472	2SD1048/6-7/-X	TRANSISTOR			
Q 501	2SB1322/RS-T	TRANSISTOR			
Q 581	2SB1322/RS-T	TRANSISTOR			
Q 871	UN2211-X	TRANSISTOR			
Q 951	2SD601A/R/-X	TRANSISTOR			
Q 961	2SB709A/R/-X	TRANSISTOR			
Q 962	UN2213-X	TRANSISTOR			
Q 963	2SB709A/R/-X	TRANSISTOR			
Q 964	UN2211-X	TRANSISTOR			
Q 971	UN2211-X	TRANSISTOR			
Q 976	UN2111-X	TRANSISTOR			
Q 977	UN2111-X	TRANSISTOR			
R 1	NRSA02J-0R0X	MG RESISTOR			
R 2	NRSA02J-223X	MG RESISTOR			
R 4	NRSA02J-473X	MG RESISTOR			
R 5	NRSA02J-332X	MG RESISTOR			
R 6	NRS181J-8R2X	MG RESISTOR			
R 7	NRSA02J-473X	MG RESISTOR			
R 8	NRSA02J-472X	MG RESISTOR			
R 9	NRSA02J-473X	MG RESISTOR			
R 21	NRS181J-100X	MG RESISTOR			
R 22	NRSA02J-622X	MG RESISTOR			
R 23	NRSA02J-222X	MG RESISTOR			
R 24	NRSA02J-222X	MG RESISTOR			
R 25	NRSA02J-222X	MG RESISTOR			
R 26	NRS181J-100X	MG RESISTOR			
R 27	NRSA02J-393X	MG RESISTOR			
R 28	NRSA02J-103X	MG RESISTOR			
R 29	NRSA02J-101X	MG RESISTOR			
R 30	NRSA02J-0R0X	MG RESISTOR			
R 31	NRSA02J-222X	MG RESISTOR			
R 32	NRSA02J-473X	MG RESISTOR			
R 101	NRSA02J-682X	MG RESISTOR			
R 102	NRSA02J-682X	MG RESISTOR			
R 111	NRSA02J-243X	MG RESISTOR			
R 112	NRSA02J-333X	MG RESISTOR			
R 113	NRSA02J-123X	MG RESISTOR			
R 115	NRSA02J-152X	MG RESISTOR			
R 116	NRSA02J-223X	MG RESISTOR			
R 117	NRSA02J-223X	MG RESISTOR			
R 153	NRSA02J-474X	MG RESISTOR			
R 154	NRSA02J-104X	MG RESISTOR			
R 155	NRSA02J-103X	MG RESISTOR			
R 156	NRSA02J-103X	MG RESISTOR			
R 157	NRSA02J-103X	MG RESISTOR			
R 158	NRSA02J-104X	MG RESISTOR			
R 159	NRSA02J-562X	MG RESISTOR			
R 160	NRSA02J-153X	MG RESISTOR			
R 161	NRSA02J-0R0X	MG RESISTOR			
R 162	NRSA02J-473X	MG RESISTOR			

△	Item	Parts number	Parts name	Remarks	Area
R 163	NRSA02J-104X	MG RESISTOR			
R 164	NRSA02J-104X	MG RESISTOR			
R 165	NRSA02J-105X	MG RESISTOR			
R 166	NRSA02J-105X	MG RESISTOR			
R 167	NRSA02J-105X	MG RESISTOR			
R 168	NRSA02J-105X	MG RESISTOR			
R 169	NRSA02J-473X	MG RESISTOR			
R 170	NRSA02J-473X	MG RESISTOR			
R 171	NRSA02J-473X	MG RESISTOR			
R 172	NRSA02J-821X	MG RESISTOR			
R 173	NRSA02J-101X	MG RESISTOR			
R 174	NRSA02J-101X	MG RESISTOR			
R 175	NRSA02J-472X	MG RESISTOR			
R 201	NRSA02J-682X	MG RESISTOR			
R 202	NRSA02J-682X	MG RESISTOR			
R 211	NRSA02J-243X	MG RESISTOR			
R 212	NRSA02J-333X	MG RESISTOR			
R 213	NRSA02J-123X	MG RESISTOR			
R 215	NRSA02J-152X	MG RESISTOR			
R 216	NRSA02J-223X	MG RESISTOR			
R 217	NRSA02J-223X	MG RESISTOR			
R 301	NRSA02J-474X	MG RESISTOR			
R 302	NRSA02J-224X	MG RESISTOR			
R 303	NRSA02J-682X	MG RESISTOR			
R 304	NRSA02J-105X	MG RESISTOR			
R 305	NRSA02J-332X	MG RESISTOR			
R 321	NRSA02J-222X	MG RESISTOR			
R 322	NRSA02J-222X	MG RESISTOR			
R 331	NRSA02J-103X	MG RESISTOR			
R 332	NRSA02J-103X	MG RESISTOR			
R 341	NRSA02J-333X	MG RESISTOR			
R 342	NRSA02J-223X	MG RESISTOR			
R 343	NRSA02J-333X	MG RESISTOR			
R 344	NRSA02J-223X	MG RESISTOR			
R 345	NRSA02J-154X	MG RESISTOR			
R 346	NRSA02J-473X	MG RESISTOR			
R 347	NRSA02J-473X	MG RESISTOR			
R 351	NRSA02J-473X	MG RESISTOR			
R 352	NRSA02J-473X	MG RESISTOR			
R 356	NRSA02J-103X	MG RESISTOR			
R 357	NRSA02J-472X	MG RESISTOR			
R 358	NRSA02J-473X	MG RESISTOR			
R 371	NRSA02J-821X	MG RESISTOR			
R 372	NRSA02J-821X	MG RESISTOR			
R 373	NRSA02J-222X	MG RESISTOR			
R 374	NRSA02J-222X	MG RESISTOR			
R 375	NRSA02J-101X	MG RESISTOR			
R 376	NRSA02J-101X	MG RESISTOR			
R 401	NRSA02J-474X	MG RESISTOR			
R 402	NRSA02J-224X	MG RESISTOR			
R 403	NRSA02J-682X	MG RESISTOR			
R 405	NRSA02J-332X	MG RESISTOR			
R 431	NRSA02J-103X	MG RESISTOR			
R 432	NRSA02J-103X	MG RESISTOR			
R 441	NRSA02J-333X	MG RESISTOR			
R 442	NRSA02J-223X	MG RESISTOR			
R 443	NRSA02J-333X	MG RESISTOR			
R 444	NRSA02J-223X	MG RESISTOR			
R 445	NRSA02J-154X	MG RESISTOR			
R 446	NRSA02J-473X	MG RESISTOR			
R 447	NRSA02J-473X	MG RESISTOR			
R 451	NRSA02J-473X	MG RESISTOR			
R 452	NRSA02J-473X	MG RESISTOR			
R 471	NRSA02J-821X	MG RESISTOR			
R 472	NRSA02J-821X	MG RESISTOR			
R 473	NRSA02J-222X	MG RESISTOR			
R 474	NRSA02J-222X	MG RESISTOR			

■ Electrical parts list (Main board)

Block No. 01

▲	Item	Parts number	Parts name	Remarks	Area
R 475		NRSA02J-101X	MG RESISTOR		
R 476		NRSA02J-101X	MG RESISTOR		
R 501		NRSA02J-473X	MG RESISTOR		
R 502		NRSA02J-473X	MG RESISTOR		
R 503		NRSA02J-473X	MG RESISTOR		
R 504		NRSA02J-473X	MG RESISTOR		
R 505		NRSA02J-104X	MG RESISTOR		
R 506		NRSA02J-104X	MG RESISTOR		
R 507		NRSA02J-220X	MG RESISTOR		
R 508		NRSA02J-220X	MG RESISTOR		
R 509		NRSA02J-333X	MG RESISTOR		
R 510		NRSA02J-393X	MG RESISTOR		
R 511		NRSA02J-222X	MG RESISTOR		
R 512		NRSA02J-153X	MG RESISTOR		
R 513		NRSA02J-682X	MG RESISTOR		
R 514		NRSA02J-473X	MG RESISTOR		
R 521		NRSA02J-472X	MG RESISTOR		
R 522		NRSA02J-472X	MG RESISTOR		
R 523		NRSA02J-472X	MG RESISTOR		
R 524		NRSA02J-472X	MG RESISTOR		
R 525		NRSA02J-103X	MG RESISTOR		
R 531		NRSA02J-103X	MG RESISTOR		
R 532		NRSA02J-473X	MG RESISTOR		
R 533		NRSA02J-683X	MG RESISTOR		
R 534		NRSA02J-474X	MG RESISTOR		
R 536		NRSA02J-333X	MG RESISTOR		
R 537		NRSA02J-103X	MG RESISTOR		
R 541		NRSA02J-152X	MG RESISTOR		
R 542		NRSA02J-153X	MG RESISTOR		
R 543		NRSA02J-332X	MG RESISTOR		
R 544		NRSA02J-332X	MG RESISTOR		
R 545		NRSA02J-682X	MG RESISTOR		
R 547		NRSA02J-152X	MG RESISTOR		
R 571		NRS181J-101X	MG RESISTOR		
R 581		NRSA02J-203X	MG RESISTOR		
R 582		NRSA02J-562X	MG RESISTOR		
R 583		NRSA02J-242X	MG RESISTOR		
R 584		NRSA02J-562X	MG RESISTOR		
R 701		NRSA02J-473X	MG RESISTOR		
R 702		NRSA02J-473X	MG RESISTOR		
R 703		NRSA02J-473X	MG RESISTOR		
R 704		NRSA02J-473X	MG RESISTOR		
R 705		NRSA02J-222X	MG RESISTOR		
R 706		NRSA02J-222X	MG RESISTOR		
R 707		NRSA02J-106X	MG RESISTOR		
R 708		NRSA02J-821X	MG RESISTOR		
R 709		NRSA02J-473X	MG RESISTOR		
R 710		NRSA02J-473X	MG RESISTOR		
R 711		NRSA02J-473X	MG RESISTOR		
R 712		NRSA02J-103X	MG RESISTOR		
R 713		NRSA02J-103X	MG RESISTOR		
R 715		NRSA02J-473X	MG RESISTOR		
R 716		NRSA02J-222X	MG RESISTOR		
R 717		NRSA02J-103X	MG RESISTOR		
R 718		NRSA02J-472X	MG RESISTOR		
R 719		NRSA02J-472X	MG RESISTOR		
R 720		NRSA02J-472X	MG RESISTOR		
R 721		NRSA02J-103X	MG RESISTOR		
R 722		NRSA02J-103X	MG RESISTOR		
R 723		NRSA02J-103X	MG RESISTOR		
R 724		NRSA02J-103X	MG RESISTOR		
R 725		NRSA02J-103X	MG RESISTOR		
R 726		NRSA02J-472X	MG RESISTOR		
R 727		NRSA02J-472X	MG RESISTOR		
R 728		NRSA02J-472X	MG RESISTOR		
R 729		NRSA02J-0R0X	MG RESISTOR		
R 730		NRSA02J-222X	MG RESISTOR		

▲	Item	Parts number	Parts name	Remarks	Area
R 731		NRSA02J-222X	MG RESISTOR		
R 732		NRSA02J-222X	MG RESISTOR		
R 733		NRSA02J-103X	MG RESISTOR		
R 734		NRSA02J-103X	MG RESISTOR		
R 735		NRSA02J-473X	MG RESISTOR		
R 736		NRSA02J-103X	MG RESISTOR		
R 738		NRSA02J-103X	MG RESISTOR		
R 739		NRSA02J-473X	MG RESISTOR		
R 740		NRSA02J-103X	MG RESISTOR		
R 741		NRSA02J-103X	MG RESISTOR		
R 742		NRSA02J-103X	MG RESISTOR		
R 743		NRSA02J-103X	MG RESISTOR		
R 744		NRSA02J-102X	MG RESISTOR		
R 746		NRSA02J-122X	MG RESISTOR		
R 747		NRSA02J-0R0X	MG RESISTOR		
R 749		NRSA02J-473X	MG RESISTOR		
R 750		NRSA02J-0R0X	MG RESISTOR		
R 751		NRSA02J-0R0X	MG RESISTOR		
R 752		NRSA02J-473X	MG RESISTOR		
R 753		NRSA02J-0R0X	MG RESISTOR		
R 754		NRSA02J-0R0X	MG RESISTOR		
R 755		NRSA02J-0R0X	MG RESISTOR		
R 756		NRSA02J-0R0X	MG RESISTOR		
R 757		NRSA02J-473X	MG RESISTOR		
R 758		NRSA02J-473X	MG RESISTOR		
R 761		NRSA02J-0R0X	MG RESISTOR		
R 762		NRSA02J-0R0X	MG RESISTOR		
R 763		NRSA02J-0R0X	MG RESISTOR		
R 764		NRSA02J-0R0X	MG RESISTOR		
R 772		NRSA02J-473X	MG RESISTOR		
R 773		NRSA02J-223X	MG RESISTOR		
R 774		NRSA02J-101X	MG RESISTOR		
R 775		NRSA02J-103X	MG RESISTOR		
R 776		NRSA02J-104X	MG RESISTOR		
R 777		NRSA02J-223X	MG RESISTOR		
R 778		NRSA02J-101X	MG RESISTOR		
R 779		NRSA02J-473X	MG RESISTOR		
R 781		NRSA02J-331X	MG RESISTOR		
R 782		NRSA02J-104X	MG RESISTOR		
R 821		QRZ0125-102X	C RESISTOR	1.0K 1/1W	
R 822		NRSA02J-822X	MG RESISTOR		
R 823		NRSA02J-223X	MG RESISTOR		
R 824		NRSA02J-822X	MG RESISTOR		
R 825		NRSA02J-223X	MG RESISTOR		
R 826		NRSA02J-153X	MG RESISTOR		
R 827		NRSA02J-472X	MG RESISTOR		
R 828		NRSA02J-223X	MG RESISTOR		
R 829		NRSA02J-223X	MG RESISTOR		
R 830		NRSA02J-103X	MG RESISTOR		
R 831		NRSA02J-820X	MG RESISTOR		
R 871		NRSA02J-102X	MG RESISTOR		
R 951		NRSA02J-473X	MG RESISTOR		
R 952		NRSA02J-123X	MG RESISTOR		
R 953		NRSA02J-184X	MG RESISTOR		
R 954		NRSA02J-223X	MG RESISTOR		
R 955		NRSA02J-471X	MG RESISTOR		
R 956		NRSA02J-102X	MG RESISTOR		
R 957		NRSA02J-274X	MG RESISTOR		
R 961		QRZ0125-102X	C RESISTOR	1.0K 1/1W	
R 962		NRSA02J-912X	MG RESISTOR		
R 963		NRSA02J-472X	MG RESISTOR		
R 964		NRSA02J-473X	MG RESISTOR		
R 965		NRSA02J-222X	MG RESISTOR		
R 966		NRSA02J-103X	MG RESISTOR		
R 967		NRSA02J-333X	MG RESISTOR		
R 968		NRS181J-222X	MG RESISTOR		
R 969		NRS181J-222X	MG RESISTOR		

KD-SX950

■ Electrical parts list (Main board)

Block No. 01

△	Item	Parts number	Parts name	Remarks	Area
	R 971	NRSA02J-472X	MG RESISTOR		
	R 972	NRSA02J-473X	MG RESISTOR		
	S 701	QSW0451-001	DETECT SW	DETACH	
	S 702	QSW0451-001	DETECT SW	OPEN	
	TU 1	QAU0154-001	TUNER		
	X 21	QAX0616-001Z	CRYSTAL		
	X 521	QAX0413-001Z	CRYSTAL		
	X 701	QAX0617-001Z	CRYSTAL		
	X 702	QAX0401-001	CRYSTAL		

■ Electrical parts list (Switch board) Block No. 02

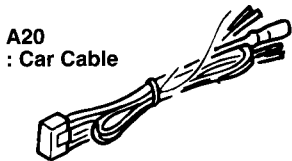
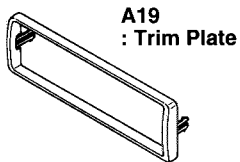
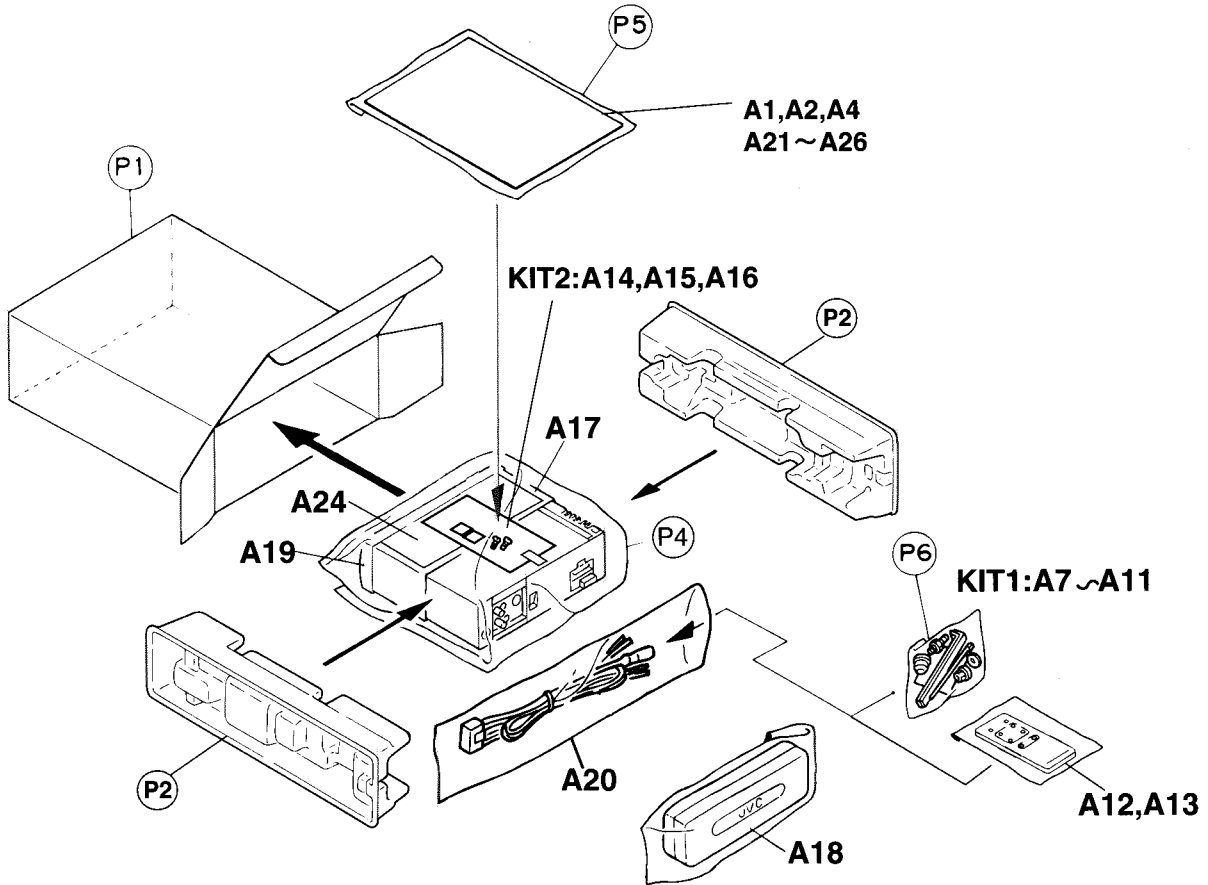
△	Item	Parts number	Parts name	Remarks	Area
	C 601	NBE20JM-475X	TS E CAPACITOR		
	C 602	NCB21HK-103X	C CAPACITOR		
	C 603	NCS21HJ-221X	C CAPACITOR		
	C 604	NCB21CK-224X	C CAPACITOR		
	C 605	NCB21CK-224X	C CAPACITOR		
	C 606	NBE20JM-475X	TS E CAPACITOR		
	CN601	QNZ0006-001	CAR CONNECTOR		
	D 601	SML-310LT/MN/-X	LED		
	D 602	SML-310FT/JKL/X	LED		
	D 603	SML-310FT/JKL/X	LED		
	D 604	SML-310FT/JKL/X	LED		
	D 605	SML-310FT/JKL/X	LED		
	D 606	SML-310FT/JKL/X	LED		
	D 607	SML-310FT/JKL/X	LED		
	D 608	SML-310FT/JKL/X	LED		
	D 609	SML-310FT/JKL/X	LED		
	D 610	SML-310FT/JKL/X	LED		
	D 611	SML-310FT/JKL/X	LED		
	D 612	SML-310FT/JKL/X	LED		
	D 613	SML-310FT/JKL/X	LED		
	D 614	SML-310FT/JKL/X	LED		
	D 615	SML-310FT/JKL/X	LED		
	D 616	SML-310FT/JKL/X	LED		
	D 617	SML-310FT/JKL/X	LED		
	D 618	SML-310FT/JKL/X	LED		
	D 619	SML-310FT/JKL/X	LED		
	D 620	SML-310FT/JKL/X	LED		
	D 621	SML-310FT/JKL/X	LED		
	D 622	SML-310FT/JKL/X	LED		
	D 623	SML-310FT/JKL/X	LED		
	D 624	CL-190UB-X-X	LED		
	D 625	SML-310FT/JKL/X	LED		
	D 626	SML-310FT/JKL/X	LED		
	D 627	SML-310FT/JKL/X	LED		
	D 641	NSPW310BS/BRS/	LED		
	D 642	NSPW310BS/BRS/	LED		
	D 643	NSPW310BS/BRS/	LED		
	D 651	MA3051/M/-X	ZENER DIODE		
	D 652	MA152WK-X	SI DIODE		
	D 657	MA3056/M/-X	ZENER DIODE		
	D 658	MA3047/M/-X	ZENER DIODE		
	EN601	QSW0793-001	ROTARY ENCODER		
	IC601	LC75873NW	IC		
	IC602	RPM6938-SV4	IC		
	Q 641	2SB815/7/-X	TRANSISTOR		
	Q 642	UN2211-X	TRANSISTOR		
	R 601	NRSA02J-821X	MG RESISTOR		
	R 602	NRSA02J-821X	MG RESISTOR		
	R 603	NRSA02J-122X	MG RESISTOR		
	R 604	NRSA02J-182X	MG RESISTOR		
	R 605	NRSA02J-272X	MG RESISTOR		
	R 606	NRS181J-821X	MG RESISTOR		
	R 607	NRSA02J-821X	MG RESISTOR		
	R 608	NRSA02J-122X	MG RESISTOR		
	R 609	NRSA02J-182X	MG RESISTOR		
	R 610	NRSA02J-272X	MG RESISTOR		
	R 611	NRSA02J-392X	MG RESISTOR		
	R 612	NRSA02J-821X	MG RESISTOR		
	R 613	NRSA02J-821X	MG RESISTOR		
	R 614	NRSA02J-122X	MG RESISTOR		
	R 615	NRSA02J-182X	MG RESISTOR		
	R 616	NRSA02J-272X	MG RESISTOR		
	R 620	NRS181J-561X	MG RESISTOR		
	R 621	NRS181J-271X	MG RESISTOR		
	R 622	NRS181J-271X	MG RESISTOR		
	R 623	NRS181J-271X	MG RESISTOR		
	R 624	NRS181J-271X	MG RESISTOR		

△	Item	Parts number	Parts name	Remarks	Area
	R 625	NRS181J-431X	MG RESISTOR		
	R 626	NRS181J-271X	MG RESISTOR		
	R 627	NRS181J-271X	MG RESISTOR		
	R 628	NRS181J-431X	MG RESISTOR		
	R 629	NRS181J-182X	MG RESISTOR		
	R 630	NRS181J-271X	MG RESISTOR		
	R 641	NRS181J-431X	MG RESISTOR		
	R 642	NRS181J-431X	MG RESISTOR		
	R 643	NRS181J-431X	MG RESISTOR		
	R 644	NRS181J-471X	MG RESISTOR		
	R 645	NRSA02J-473X	MG RESISTOR		
	R 646	NRS181J-102X	MG RESISTOR		
	R 650	NRSA02J-101X	MG RESISTOR		
	R 651	NRSA02J-473X	MG RESISTOR		
	R 652	NRSA02J-473X	MG RESISTOR		
	R 653	NRS181J-102X	MG RESISTOR		
	R 654	NRSA02J-221X	MG RESISTOR		
	R 655	NRSA02J-394X	MG RESISTOR		
	R 656	NRSA02J-334X	MG RESISTOR		
	R 657	NRSA02J-103X	MG RESISTOR		
	R 658	NRSA02J-470X	MG RESISTOR		
	R 661	NRSA02J-332X	MG RESISTOR		
	R 662	NRSA02J-332X	MG RESISTOR		
	R 663	NRSA02J-332X	MG RESISTOR		
	R 669	NRSA02J-103X	MG RESISTOR		
	R 670	NRSA02J-103X	MG RESISTOR		
	R 671	NRSA02J-103X	MG RESISTOR		
	S 601	NSW0066-001X	TACT SWITCH		
	S 602	NSW0066-001X	TACT SWITCH		
	S 603	NSW0066-001X	TACT SWITCH		
	S 604	NSW0066-001X	TACT SWITCH		
	S 605	NSW0066-001X	TACT SWITCH		
	S 606	NSW0066-001X	TACT SWITCH		
	S 607	NSW0066-001X	TACT SWITCH		
	S 608	NSW0066-001X	TACT SWITCH		
	S 609	NSW0066-001X	TACT SWITCH		
	S 610	NSW0066-001X	TACT SWITCH		
	S 611	NSW0066-001X	TACT SWITCH		
	S 612	NSW0066-001X	TACT SWITCH		
	S 613	NSW0066-001X	TACT SWITCH		
	S 614	NSW0066-001X	TACT SWITCH		
	S 615	NSW0066-001X	TACT SWITCH		
	S 616	NSW0066-001X	TACT SWITCH		
	S 617	NSW0066-001X	TACT SWITCH		
	S 618	NSW0066-001X	TACT SWITCH		
	S 619	NSW0066-001X	TACT SWITCH		

Packing materials and accessories parts list

Block No. M 3 M M

Block No. M 4 M M



SCREW KIT 1	
	A11 : Hook
	A10 : Washer
	A7 : Plug nut
	A8 : Mount bolt
	A9 : Lock nut

	A12 : Remocon
	A13 : Battery

SCREW KIT 2	
	A14 : Screw
	A15 : Sheet
	A16 : Sheet

■ Packing parts list

Block No. M3MM

△	Item	Parts number	Parts name	Q'ty	Description	Area
	P 1	FSPE3001-175	PACKING CASE	1		
	P 2	FSPH1018-002	PAPER CUSHION	2		
	P 4	VPE3005-064	POLY BAG	1	FOR SET	
	P 5	QPA01703505P	POLY BAG	1		
	P 6	QPA00801205	POLY BAG	1		

■ Accessories parts list

Block No. M4MM


△	Item	Parts number	Parts name	Q'ty	Description	Area
	A 1	FSUN3114-631	INST.BOOK	1	ENG SPA FRE	
	A 2	FSUN3114-T631	INSTRUCT.SHEET	1	ENG SPA FRE	
	A 4	BT-51018-2	WARRANTY CARD	1	FOR USA	
		BT-52001-4	WARRANTY CARD	1	FOR CANADA	
	A 7	VKZ4027-202	PLUG NUT	1		
	A 8	VKH4871-001SS	MOUNT BOLT	1		
	A 9	VKZ4328-001	LOCK NUT	1		
	A 10	WNS5000Z	WASHER	1		
	A 11	FSKL4010-002	HOOK	2		
	A 12	RM-RK31	REMOCON	1		
	A 13	-----	BATTERY	1		
	A 14	VKZ4777-001	MINI SCREW	2	THEFT PREVENTIO	
	A 15	FSYA4002-001	SHEET	1	THEFT PREVENTIO	
	A 16	FSYH4036-036	SHEET	2	FOR LEFT/RIGHT	
	A 17	FSKM2004-002SSF	MOUNTING SLEEVE	1		
	A 18	FSJB3001-00A	HARD CASE	1		
	A 19	FSJD2034-001	TRIM PLATE	1		
	A 20	QAM0012-003	16P CORD ASS'Y	1		
	A 21	BT-20071B	JVC CENTER LIST	1	FOR CANADA	
	A 22	LV40981-001A	IMPORTANT SHEET	1	RESET CAUTION S	
	A 23	LVT0326-001C	TROUBLE SHOOTIN	1		
	A 24	LV41417-001A	CAUTION	1		
	A 25	FSUD3114-001A	CAUTION SHEET	1		
	A 26	BT-51020-2	J=REGIST CARD	1	FOR USA	
	KIT 1	KDGS717K-SCREW1	SCREW PARTS KIT	1	A7 - A11	
	KIT 2	KDSX959-SCREW2	SCREW PARTS KIT	1	A14 - A16	

KD-SX950

JVC

VICTOR COMPANY OF JAPAN, LIMITED
MOBILE ELECTRONICS DIVISION, 10-1, 1chome, Ohwatari-machi, Maebashi-city, Japan

(No.49539)

 Printed in Japan
200002(V)